

YAMAHA ^{山本} Moto®

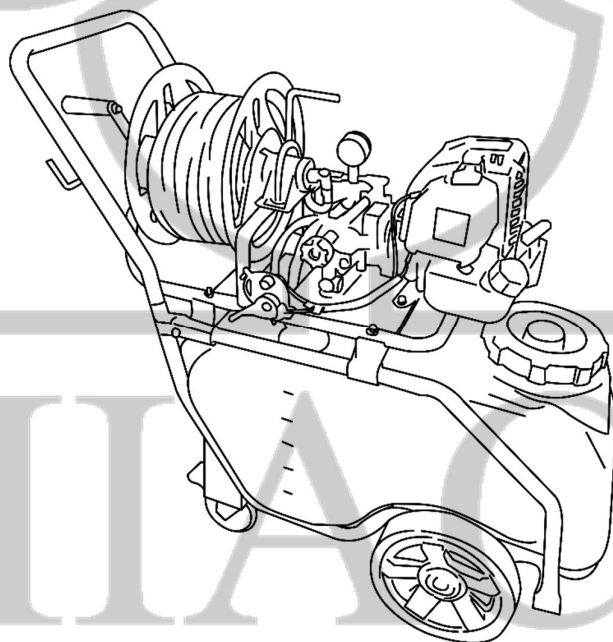
OWNER'S MANUAL

使用說明書

**HAND PUSH
ENGINE SPRAYER**

手推引擎噴霧機

HPGS-50B



CAUTION 注意

- Before using our products, please read this manual carefully to understand the proper use of your unit. 使用本產品之前請務必先閱讀本使用說明書。
- Keep this manual handy. 本使用說明書請妥善保管。

Thank you for purchasing a HPGS-50B.

This manual covers the operation and maintenance of HPGS-50B.

All information in this publication is based on the latest product information available at the time of approval for printing.

Hiace Engine Co., Ltd. reserves the right to make changes at any time without notice and without incurring any obligation.

No part of this publication may be reproduced without written permission.

This manual should be considered a permanent part of the HPGS-50B and should remain with the HPGS-50B if it is resold.

Pay special attention to statements preceded by the following words:

Indicates a strong possibility of severe personal injury or death if instructions are not followed.

CAUTION: Indicates a possibility of equipment or property damage if instructions are not followed.

NOTE: Gives helpful information.

If a problem should arise, or if you have any questions about the HPGS-50B, consult an authorized Hiace Engine dealer.

HPGS-50B is designed to give safe and dependable service if operated according to instructions. Read and understand the Owner's Manual before operating the HPGS-50B. Failure to do so could result in personal injury or equipment damage.

感謝您購買 HPGS-50B。

本手冊涵蓋 HPGS-50B 的操作和維護。

本出版物中的所有信息均基於印刷批准時最新的產品信息。

弘揚精密實業有限公司保留隨時更改的權利，無需提前通知且不承擔任何義務。

未經書面許可，任何部分的本出版物均不得複製。

本手冊應視為 HPGS-50B 的永久部分，並應在轉售 HPGS-50B 時隨之保留。

請特別注意以下詞語開頭的說明：

表示如果不按照說明操作，可能會有嚴重的人身傷害或死亡的強烈可能性。

注意：表示如果不按照說明操作，可能會導致設備或財產損壞。

提示：提供有用的信息。

如果出現問題，或者您對 HPGS-50B 有任何疑問，請諮詢授權的弘揚經銷商。

HPGS-50B 在按照說明操作時設計為提供安全可靠的服務。操作 HPGS-50B 前，請閱讀並理解《用戶手冊》。未能遵循可能會導致人身傷害或設備損壞。

Contents

For Safe Operation 正確使用須知	3~12
Safety Label Locations 安全標籤位置	13
Component Identification 零件識別	14
Controls 控制裝置	15~17
PRE-Operation Check 操作前檢查	18~27
Starting The Engine 啟動引擎	27~30
Operation 操作	31~32
Maintenance 維護保養	33~44
Transporting/Storage 運輸/儲存	44~46
Troubleshooting 故障排除	47
Disposal 廢棄處置	48
Specifications 產品規格	48~49

For Safe Operation 正確使用須知

WARNING!

1. Field of application

The device is approval for agricultural use.

Other possible fields of application:

forestry, hops cultivation, fruit growing, specialized cultivation, viticulture, tree nurseries, vegetable farming, non-cropland, grassland, storage protection, greenhouse cultivation, cultivation of ornamentals.

2. A general warning on the use of chemicals (filling, spraying, cleaning, etc.)

- Always obey the National law.
- Obey to the chemicals instruction.

3. Information about filling the device and safety measures

To fill:

- Apply only as much liquid as needed.
- Do not fill the container above the maximum fill line.
- Ensure that no liquid spills out or splashes back.

警告!

1. 適用範圍

本設備批准用於農業用途。

其他可能的應用領域包括：

林業、啤酒花栽培、水果種植、專業栽培、葡萄栽培、苗圃、蔬菜種植、非耕地、草地、儲藏保護、溫室栽培、觀賞植物栽培。

2. 使用化學品的一般警告 (填充、噴灑、清潔等)

- 始終遵守國家法律。
- 遵守化學品說明。

3. 填充設備和 safety 措施的相關信息

填充時：

- 僅應用所需的液體量。
- 不要將容器填充超過最大填充線。
- 確保沒有液體溢出或濺回。

WARNING!

- When using tap water, do not allow the filling hose dip into the liquid without safety precautions.
- Draw from surface water only after official authorization while avoiding all contamination.

Safety measures:

- Observe the instructions for the safety of the user in the instruction manual of the pesticide and wear the recommended body protection, if necessary.
 - Do not eat, smoke or drink while working with pesticides.
 - Thoroughly clean hands and face after work is completed.
 - Keep pest control devices and pesticides away from children.
 - Never blow out nozzles and other small parts with your mouth.
- 4. Information about how long the HPGS-50B can be used**
- The same person should not perform spray operations for a long time or every day.
 - Do the operations while taking a moderate rest.

5. Information about the device operating and setting ranges

The following must be entered individually for each nozzle assembly. Optimal distance from nozzle to the target surface, the associated working width, the spraying angle, the spraying pressure range with associated flow rates, the optimal spraying pressure and recommended fields of application.

警告!

- 使用自來水時，不要讓填充管在沒有安全防護措施的情況下浸入液體中。
- 僅在獲得官方授權後從地表水中抽取，同時避免所有污染。

安全措施：

- 遵守農藥說明書中的安全指南，必要時穿戴建議的防護裝備。
 - 在使用農藥時不要吃、抽煙或喝飲料。
 - 工作完成後徹底清潔手和臉。
 - 將害蟲控制裝置和農藥放在兒童無法觸及的地方。
 - 不要用嘴吹噴嘴和其他小部件。
- 4. 有關HPGS-50B使用時長的信息**
- 同一個人不應長時間或每天進行噴霧操作。
 - 操作時應適當休息。

5. 有關設備操作和設置範圍的信息

以下內容必須針對每個噴嘴組件單獨輸入：從噴嘴到目標表面的最佳距離、相關的工作寬度、噴霧角度、具有相關流量的噴霧壓力範圍、最佳噴霧壓力以及建議的應用領域。

For Safe Operation 正確使用須知

WARNING!

To ensure safe operation Operator Responsibility

1. Any part from the machine is a potential source of danger if the machine is used in abnormal conditions or if the maintenance is not done correctly.
2. Read the Owner's Manual carefully. Be familiar with the controls and their proper use of the HPGS-50B. Know how to stop the engine rapidly.
3. Use the HPGS-50B for the purpose it is intended for, that is spraying agricultural chemicals or water.
Any other use could be dangerous or damage the HPGS-50B.
4. The recommended operating range of this HPGS-50B is 5°C to 40°C (41°F to 104°F).
Do not use the backpack sprayer if it is frozen.
5. Never allow children or people unfamiliar with this Owner's Manual to use the HPGS-50B. Local regulations may restrict the age of the operator.
6. If you lend or resell your HPGS-50B to a third person, instruct him or her with how to handle the product and alert him or her to read and understand the Owner's Manual carefully before operation.
7. The person with the following conditions are advised not to spray agricultural chemicals or to help someone else spray agricultural chemicals.
 - ※ Liver or kidney disorder
 - ※ Allergies
 - ※ Sensitivity to chemical
 - ※ A sickly person or a person recovering from disease
 - ※ Personal Injury
 - ※ During Menstruation
 - ※ During Pregnancy

The chemicals involved may be harmful to their health.

警告!

確保安全操作 操作員責任

1. 任何機器部件在異常條件下使用或維護不當時都可能成為危險源。
2. 仔細閱讀用戶手冊。熟悉HPGS-50B的控制裝置及其正確使用方法。了解如何快速停止引擎。
3. 僅將HPGS-50B用於其設計用途，即噴灑農藥或水。
任何其他用途都可能危險或損壞HPGS-50B。
4. 建議的HPGS-50B操作範圍為5°C至40°C（41°F至104°F）。
請勿在噴霧器結冰時使用。
5. 切勿讓兒童或不熟悉本用戶手冊的人使用HPGS-50B。當地法規可能會限制操作員的年齡。
6. 如果將HPGS-50B借給或轉售給第三方，請指導他們如何使用該產品，並提醒他們在操作前仔細閱讀並理解用戶手冊。
7. 建議以下情況的人不要噴灑農藥或幫助他人噴灑農藥。
 - ※ 肝臟或腎臟疾病
 - ※ 過敏
 - ※ 對化學品敏感
 - ※ 身體虛弱或剛康復的人
 - ※ 個人傷害
 - ※ 月經期間
 - ※ 懷孕期間

相關化學品可能對他們的健康有害。

For Safe Operation 正確使用須知

WARNING!

8. Never operate the HPGS-50B while:
 - people, especially children or pets are nearby.
 - user is fatigued or under medication, or has swallowed substances known to affect judgement or reactions.
9. Keep in mind that the operator or user is responsible for accidents or hazards occurring to other people or their property.
10. Before each use, visually inspect the HPGS-50B for any damage and looseness of fastening part.
11. Before each use, look around and underneath the engine for signs of oil or gasoline leaks.
12. Because the tank when completely filled with the chemical is very heavy, pay careful attention not to hurt your lower back when carrying it.
13. Always adopt a safe working posture when carrying the tank.
14. Avoid operating the HPGS-50B at night or in a bad weather of poor visibility, because there is much possibility of accident.
15. Always confirm the path ahead is safe when spraying. Walking forward when spraying is recommended. Avoid walking backwards when spraying as this makes it difficult to confirm that the path ahead is safe.
16. Avoid operating the HPGS-50B on a steep slope. The steep slope is very slippery, so you can slip down.

警告!

8. 切勿在以下情況下操作HPGS-50B：
 - 附近有人，特別是兒童或寵物。
 - 使用者疲勞、服用藥物或攝入影響判斷或反應的物質。
9. 請記住，操作員或使用者對其他人或其財產發生的事故或危險負責。
10. 每次使用前，目視檢查HPGS-50B是否有損壞和緊固部件鬆動的情況。
11. 每次使用前，檢查引擎周圍和底部是否有漏油或漏氣的跡象。
12. 因為裝滿化學品的藥桶非常重，攜帶時請特別注意不要傷到下背部。
13. 攜帶藥桶時，始終採取安全的工作姿勢。
14. 避免在夜間或能見度差的惡劣天氣下操作HPGS-50B，因為這樣發生事故的可能性很大。
15. 噴灑時始終確認前方的道路是安全的。建議向前行走時進行噴灑。避免向後走時噴灑，因為這樣會使確認前方道路的安全變得困難。
16. 避免在陡坡上操作HPGS-50B。陡坡非常滑，你可能會滑倒。

For Safe Operation 正確使用須知

WARNING!

17. Do not operate the HPGS-50B with the labels, and other parts removed.
18. Do not mount an incorrect part and do not tamper with the HPGS-50B as it can result in personal injury and/or equipment damage.
19. Keep all nuts, bolts and screws tight to be sure the HPGS-50B is in safe working condition. Regular maintenance is an essential aid to user's safety and retaining a high level of performance.
20. To prevent from incorrect functioning of the HPGS-50B, follow to the chemicals instruction carefully.

To ensure safe operation How to handle agricultural chemicals

When handling agricultural chemicals, follow the directions of the manufacturer or distributor. Also, follow the laws and regulations.

- The person that spray agricultural chemicals, or who assist in spraying them, must put on protective clothes so they don't inhale the chemicals or touch them directly.

This attire usually includes:

- ※ Waterproof cap, long sleeved shirt, long pants
- ※ Rubber gloves, rubber boots
- ※ Protective goggles, protective mask
- ※ Ear plugs

Please understand that touching and inhaling agricultural chemicals is hazardous to your health and could poison you.

Check and maintain protective equipment to maintain their normal functions at all times, and use them correctly.

警告!

17. 不要在移除標籤和其他部件的情況下操作 HPGS-50B。
18. 不要安裝不正確的部件，也不要擅自改裝 HPGS-50B，因為這可能導致人身傷害和/或設備損壞。
19. 保持所有螺母、螺栓和螺絲緊固，以確保 HPGS-50B 處於安全工作狀態。定期維護是確保使用者安全和保持高性能的重要措施。
20. 為防止 HPGS-50B 功能異常，請仔細遵循化學品說明。

確保安全操作 如何處理農藥

在處理農藥時，請遵循製造商或分銷商的指示。同時，遵守相關法律法規。

- 噴灑農藥的人或協助噴灑農藥的人必須穿戴防護服，以避免吸入或直接接觸農藥。

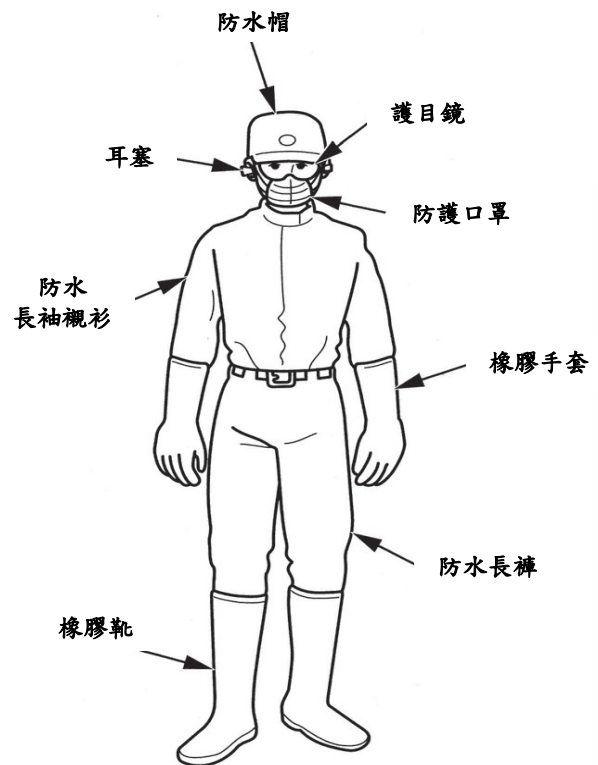
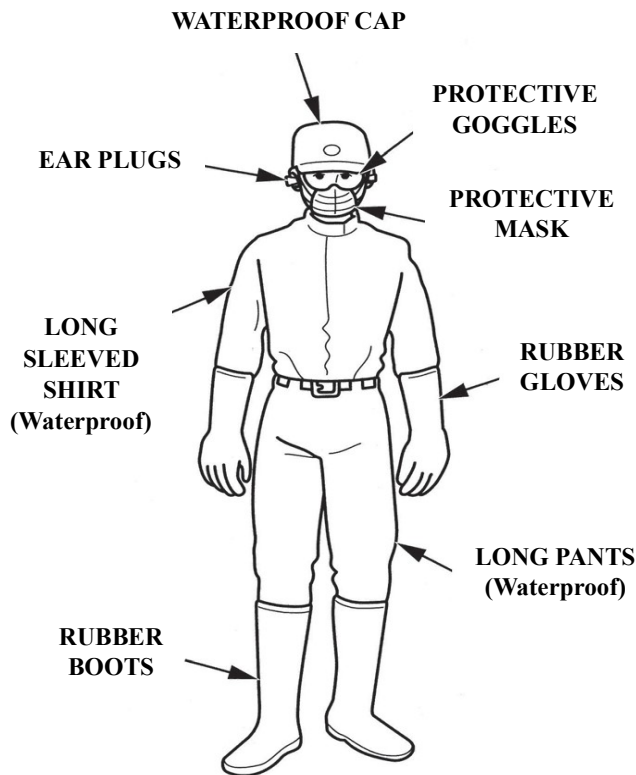
這些裝備通常包括：

- ※ 防水帽、長袖襯衫、長褲
- ※ 橡膠手套、橡膠靴
- ※ 防護眼鏡、防護口罩
- ※ 耳塞

請了解，接觸和吸入農藥對您的健康有害，可能會導致中毒。

檢查並維護防護設備以保持其正常功能，並正確使用它們。

For Safe Operation 正確使用須知



WARNING!

To ensure safe operation How to handle agricultural chemicals

- (1) Before starting the engine, make sure that the sprayer hose is securely installed into the HPGS-50B, and that the Water Switch is in the “CLOSED” position. If you fail to do so, agricultural chemicals may splash on you during operation.
1. When agricultural chemicals touch your skin by mistake, wash it with soap immediately. If agricultural chemicals soak into your clothing, change it.
 2. When you feel dizzy or nauseous and have a headache or a stomachache, see a doctor immediately. Inform him of what chemicals you use and your operation (operating time, operating area, operating means, etc.). Immediate care is required to avoid serious chemical injuries.

警告!

為確保安全操作 如何處理農藥

1. 在啟動引擎之前，確保噴霧器軟管已牢固安裝在 HPGS-50B 上，並且水開關處於“CLOSED”（關閉）位置。如果未能這樣做，操作過程中可能會導致農藥濺濕您的身體。
2. 如果不慎使農藥接觸到皮膚，應立即用肥皂清洗。如果農藥滲透到衣服中，應更換衣物。
3. 當您感到頭暈、惡心、頭痛或胃痛時，應立即就醫。告知醫生您使用的化學品以及您的操作情況（操作時間、操作區域、操作方式等）。及時治療是避免嚴重化學品傷害的必要措施。

For Safe Operation 正確使用須知

WARNING!

4. Do not direct the nozzle towards anyone when you spray agricultural chemicals. Stop your work, if children or those uninvolved are getting closer to you when you spray agricultural chemicals.
5. Know the direction of the wind when you spray agricultural chemicals. Have the wind at your back to avoid the spray. If you spray agricultural chemicals against the direction of the wind, do not touch the sprayed crops. Breathing or touching chemicals harms your health.
6. You should make a plan when you weed and spray agricultural chemicals to prevent insects. In addition, insect prevention should be done systematically. This means, weed the area first, as opposed to last, and spray the land after weeding. This prevents having to weed afterwards and protects yourself from weeding around freshly sprayed agricultural chemicals.
7. Do not do spray for a long time or everyday. Breaks must be taken during operation. People in a tired state are prone to be affected easily by the agricultural chemicals when operating the HPGS-50B.
8. Do not spray the chemicals in the daytime while the temperature is high, or on a day of strong wind. Do not spray the chemicals in a busy place during a busy time especially when school children are likely to pass through. If you spray the chemicals under strong sunlight, the sprayed chemicals become concentrated and can be more potent to your health. If you spray the chemicals on days of strong wind, the chemicals can blow to other places and harm other people or animals, such as domestic animals, kept bees, silk worms, or aquatic animals.

警告!

4. 在噴灑農藥時，不要將噴嘴對準任何人。如果噴灑農藥時有兒童或非參與者靠近，應停止工作。
5. 噴灑農藥時要了解風向，保持風背後以避免噴霧飄向自己。如果逆風噴灑農藥，不要觸摸被噴灑的作物。吸入或接觸化學物質對健康有害。
6. 在除草和噴灑農藥防止昆蟲時，應該制定計劃。此外，昆蟲防治應有系統地進行。這意味著先除草，再噴灑農地。這樣做可以避免事後需要除草，並保護自己免受噴灑的農藥影響。
7. 不要長時間連續噴灑農藥，也不要每天都進行噴灑。在操作過程中應有休息時間。疲憊狀態的人在操作HPGS-50B時更容易受到農藥的影響。
8. 白天氣溫高或風力強時，不要噴灑化學藥劑。在繁忙時段，特別是可能有學童經過的時間，不要在繁忙場所噴灑化學藥劑。如果在強烈陽光下噴灑化學藥劑，噴灑的藥劑會濃縮，對健康的危害更大。如果在強風天氣下噴灑化學藥劑，藥劑可能被吹向其他地方，危害其他人或動物，如家畜、養蜂的蜜蜂、蠶或水生動物。

For Safe Operation 正確使用須知

WARNING!

9. Read and understand all the labels for the chemicals, directions, and cautions to ensure their proper usage. Be aware of the toxicity of the chemicals and the first aid treatment needed to prepare for the worst.
Ignoring the cautions could cause a serious accident.
10. Do not eat, drink, or smoke during the spray of chemicals. Wash your hands and face carefully with soap. Also, rinse out your mouth before taking a break or before eating or smoking after the spray work is done, in order to protect yourself from the harm of the chemicals.
11. Do not transport nor store food and drinks in the same container as the chemicals or the HPGS-50B to prevent cross contamination.
12. The remainder of the chemicals must be sealed and stored in a box with a lock and key separate from the food and feed so as not to cause a serious accident.
13. After using the HPGS-50B, store it in a place where children and domestic animals are locked out.
Careless storage can cause exposure to children or animals, which could be harmful to their health.
14. Do not use the chemicals indicated as “No fire”, such as sulfur, emulsion and grease, near fire (bonfire, cigarette, etc.).
Put the chemicals in a cool place away from all fires.

警告!

9. 為了確保化學品的正確使用，請閱讀並理解所有化學品的標籤、使用說明和注意事項。要了解化學品的毒性以及應急處置措施，做好最壞情況的準備。忽視注意事項可能導致嚴重事故的發生。
10. 在噴灑化學藥劑時，不要吃東西、喝水或吸煙。使用肥皂仔細清洗手和臉部。在休息或噴灑工作完成後吃東西或吸煙前，漱口清洗口腔，以保護自己免受化學藥劑的危害。
11. 為防止交叉污染，不要將食物和飲料與化學藥劑或HPGS-50B放在同一容器中存放或運輸。
12. 剩餘的化學藥劑必須密封存放在帶有鎖和鑰匙的箱子中，與食物和飼料分開存放，以避免造成嚴重事故的發生。
13. 使用HPGS-50B後，應將其存放在兒童和家畜無法接觸的地方。
粗心的存放可能導致兒童或動物接觸到，對其健康造成危害。
14. 不要在靠近火源（篝火、香煙等）的地方使用標示為“禁火”的化學品，例如硫磺、乳化劑和油脂。
將這些化學品存放在遠離所有火源的陰涼地方。

WARNING!

15. Clean the HPGS-50B carefully. Dispose the wastewater in non agricultural land. Incomplete cleaning can cause the chemical residue on the product to react with different chemicals used later on, which could be harmful.
16. Follow the instructions prepared by makers or distributors and the regulations when disposing bags, cardboard boxes or plastic containers of the chemicals.
17. After the spray work, take a bath to wash yourself carefully with soap. Take off and wash all the clothes you wore. If you put on the same clothes that you wore during the spray work again on the next day, the leftover chemicals could be harmful.

To ensure safe operation Fire and Burn Hazard

Gasoline is extremely flammable, and gasoline vapor can explode.

Use extreme care when handling gasoline. Keep gasoline out of reach of children.

1. Store fuel in containers specifically designed for this purpose.
2. Refuel outdoors only, and do not smoke while refueling or handling fuel.
3. Add fuel before starting the engine. Never remove the cap of the fuel tank or add gasoline while the engine is running or when the engine is hot.
4. If gasoline is spilled, do not attempt to start the engine but move the HPGS-50B away from the area of spillage and avoid creating any source of ignition until gasoline vapors have dissipated.

警告!

15. 仔細清潔HPGS-50B。將廢水排放至非農業用地。清潔不完全可能導致產品上的化學殘留物與後續使用的不同化學物質發生反應，可能對健康造成危害。
16. 在處置化學品的袋子、紙板箱或塑料容器時，應遵循製造商或分銷商準備的指示以及相關法規。
17. 噴灑工作結束後，用肥皂仔細洗澡。脫下並清洗您穿過的所有衣物。如果您第二天再次穿上噴灑工作期間穿過的同樣衣物，殘留的化學物質可能對健康造成危害。

為確保安全操作 防火和燒傷危險

汽油極易燃，汽油蒸氣可爆炸。

在處理汽油時要格外小心。將汽油放在兒童無法觸及的地方。

1. 將燃料存放在專為此目的設計的容器中。
2. 只能在室外加油，加油或處理燃料時禁止吸煙。
3. 在啟動引擎之前添加燃料。絕不要在引擎運行或引擎熱的情況下打開油箱蓋或添加汽油。
4. 如果發生汽油泄漏，不要試圖啟動引擎，而是將HPGS-50B移出泄漏區域，避免在汽油蒸氣消散之前引發任何火源。

For Safe Operation 正確使用須知

WARNING!

5. Tighten all fuel tanks and container caps securely.
6. When you start the engine after refueling, be sure to start the engine at least 3 m away from the refueling spot.
7. Never store the HPGS-50B with gasoline in the tank inside a building where fumes may reach an open flame, spark or high temperature source.
8. Allow the engine to cool before storing in any enclosure.
9. To reduce the fire hazard, keep the HPGS-50B, especially the engine, muffler, the gasoline storage area as well, free of grass, leaves, or excessive grease.
10. Do not leave containers of vegetable matters in or near building.
11. If the fuel tank has to be drained, this should be done outdoors, with a cold engine.

To ensure safe operation

Carbon Monoxide Poisoning Hazard

Exhaust contains poisonous carbon monoxide, a colorless and odorless gas. Breathing exhaust can cause loss of consciousness and may lead to death.

1. If you run the engine in an area that is confined or even partially enclosed, the air you breathe could contain a dangerous amount of exhaust gas. To keep exhaust gas from building up, provide adequate ventilation.
2. Replace faulty muffler.
3. Do not operate the engine in a confined space where dangerous carbon monoxide fumes can collect.

警告!

5. 確保所有油箱蓋和藥桶蓋緊固牢靠。
6. 在加油後啟動引擎時，務必在距離加油點至少3米的地方啟動引擎。
7. 永遠不要將有汽油的HPGS-50B存放在可能有火焰、火花或高溫源的建築物內，以防燃氣達到開放的火焰。
8. 在存放引擎之前，請讓它冷卻。
9. 為了減少火災危險，保持HPGS-50B，特別是引擎、消音器和汽油存放區域，遠離草地、樹葉或過多的油脂。
10. 不要在建築物內或附近放置植物物質的容器。
11. 如果需要排空油箱，應該在室外進行，並確保引擎冷卻。

為確保安全操作 一氧化碳中毒的危險

廢氣中含有有毒的一氧化碳，這是一種無色無味的氣體。吸入廢氣可能導致意識喪失，甚至致命。

1. 如果在封閉或部分封閉的區域內運行引擎，您呼吸的空氣可能含有危險的一氧化碳。為了防止廢氣積聚，應提供足夠的通風。
2. 更換故障的消音器。
3. 不要在封閉空間內操作引擎，以免危險的一氧化碳氣體積聚。

Safety Label Locations 安全標籤位置

These labels warn you of potential hazards that can cause serious injury. Read the labels and safety notes and precautions described in this manual carefully.

If a label comes off or becomes hard to read, contact your dealer for a replacement.

這些標籤警告您可能導致嚴重受傷的潛在危險。請仔細閱讀本手冊中描述的標籤、安全提示和預防措施。

如果標籤脫落或變得難以辨認，請聯繫您的經銷商換取新的標籤。

OPERATOR CAUTION



- HPGS-50B is designed to give safe and dependable service if operated according to instructions. Read and understand the Owner's Manual before operating the HPGS-50B. Failure to do so could result in personal injury or equipment damage.

操作者注意事項



- HPGS-50B 設計用於按照說明書操作時提供安全可靠的服務。
在操作 HPGS-50B 之前，請閱讀並理解使用說明書。未遵循指示可能導致人身傷害或設備損壞。



- Exhaust contains poisonous carbon monoxide, a colorless, odorless gas. Breathing carbon monoxide can cause loss of consciousness and may lead to death.
- If you run the HPGS-50B in an area that is confined, or even partially enclosed area, the air you breathe could contain a dangerous amount of exhaust gas.
- Never run your HPGS-50B inside a garage, house, or near open windows or doors.



- 排氣含有有毒一氧化碳，是一種無色、無味的氣體。吸入一氧化碳可能導致意識喪失，甚至死亡。
- 如果在封閉或部分封閉的區域內操作 HPGS-50B，您呼吸的空氣中可能含有危險的排氣。
- 永遠不要在車庫、房屋內或靠近開放的窗戶或門附近操作 HPGS-50B。



- Gasoline is highly flammable and explosive.
- Stop the engine and let cool before refueling.

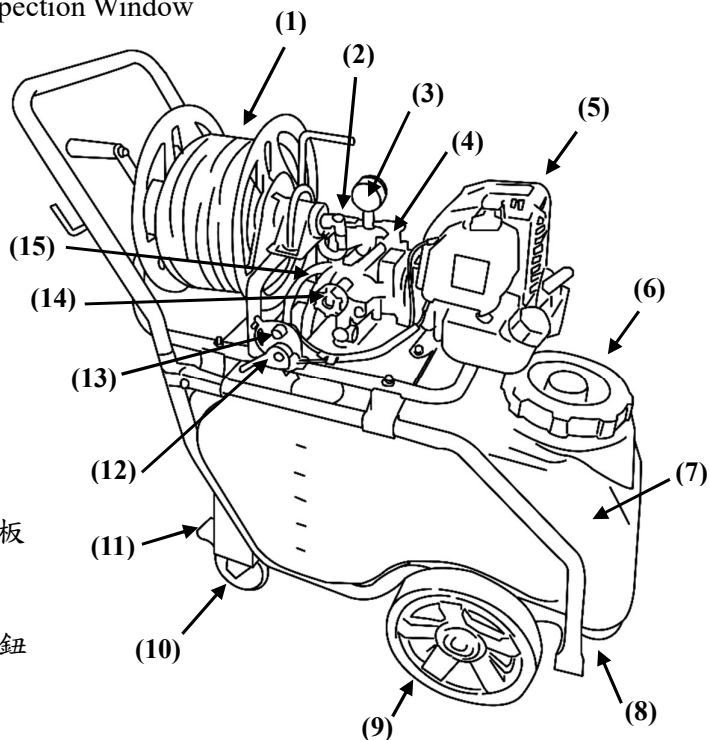


- 汽油具有高度易燃和爆炸性。
- 加油前請熄火並讓引擎冷卻。

Component Identification 零件識別

- | | |
|--------------------|---------------------------------|
| (1) Hose Reel | (13) Stop Switch |
| (2) Water Switch | (14) Regulating Dia |
| (3) Pressure Gauge | (15) Pump Oil Inspection Window |

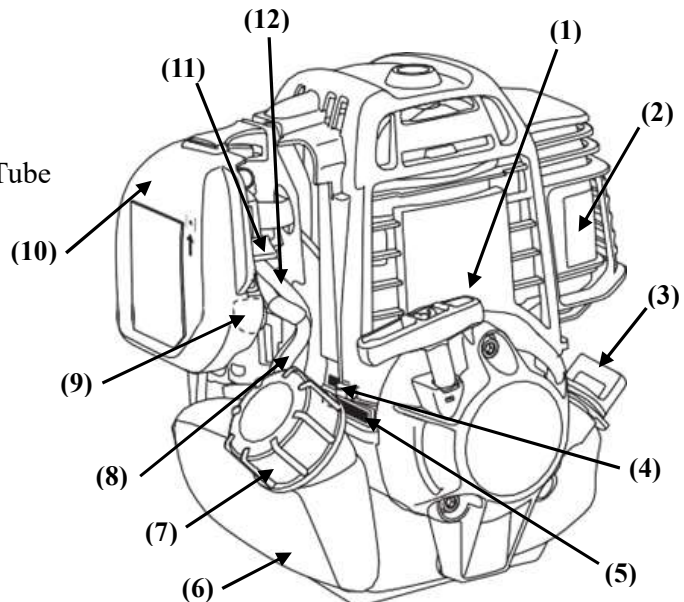
- | |
|-----------------------------------|
| (4) Pump |
| (5) Engine |
| (6) Chemical Drum Cap (Fill Port) |
| (7) Chemical Drum |
| (8) Chemical Drum Cap (Drain) |
| (9) Front Wheel |
| (10) Rear Wheel |
| (11) Rear Wheel Locking Pedal |
| (12) Throttle Lever |



- | | |
|--------------|-------------|
| (1) 水管收管架 | (9) 前輪 |
| (2) 水開關 | (10) 後輪 |
| (3) 壓力錶 | (11) 後輪固定踏板 |
| (4) 泵浦 | (12) 加油器 |
| (5) 引擎 | (13) 熄火開關 |
| (6) 藥桶蓋(入水口) | (14) 壓力調整旋鈕 |
| (7) 藥桶 | (15) 泵浦視油鏡 |
| (8) 藥桶蓋(洩水口) | |

- | | |
|--------------------------|-----------------------|
| (1) Starter Grip | (8) Fuel Tube |
| (2) Muffler | (9) Priming Pump |
| (3) Oil Filler Cap | (10) Air Cleaner |
| (4) Engine Type | (11) Choke Lever |
| (5) Engine Serial Number | (12) Fuel Return Tube |
| (6) Fuel Tank | |
| (7) Fuel Tank Cap | |

- | | |
|------------|------------|
| (1) 啟動拉柄 | (8) 燃油管 |
| (2) 消音器 | (9) 燃料按壓泵 |
| (3) 機油箱蓋 | (10) 空氣濾清器 |
| (4) 引擎類型 | (11) 風門開關 |
| (5) 引擎序列號碼 | (12) 燃油回流管 |
| (6) 油箱 | |
| (7) 油箱蓋 | |



Engine serial number : _____

Pump serial number : _____

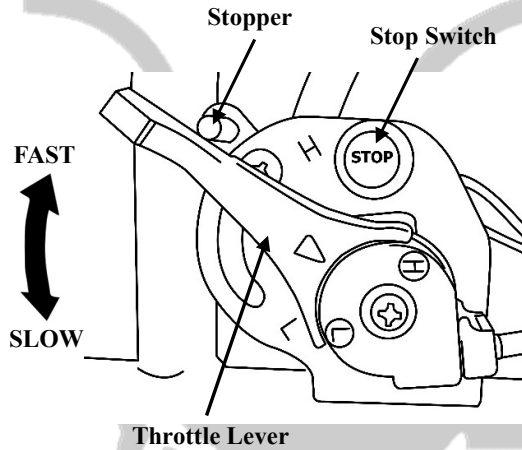
Controls 控制裝置

● Throttle lever

The throttle lever controls engine speed from SLOW to FAST, it will stay in any designated position.

● Stop Switch

Pressing the stop switch can immediately stop the engine from running.



NOTE

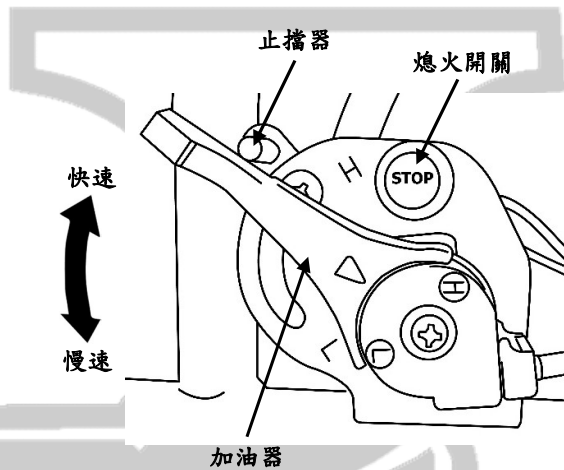
The throttle lever is regulated by the stopper. Do not change the stopper position to forcibly increase the engine speed. Overspeeding the engine impairs the pump's performance and adversely affects the engine and pump.

● 加油器

加油器可控制引擎速度從慢到快，並且可以保持在任何指定的位置。

● 熄火開關

按下熄火開關可立即停止引擎運轉。



提示

加油器由止擋器控制。請勿改變止擋器位置以強行增加引擎速度。過高的引擎轉速會損害泵浦的性能，並對引擎和泵浦產生不良影響。

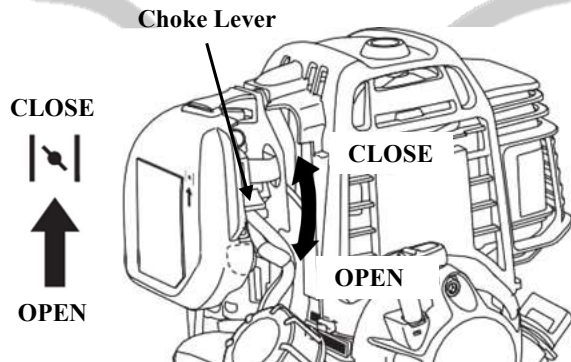
HIACE

Controls 控制裝置

● Choke Lever

The choke lever opens and closes the choke valve in the carburetor.

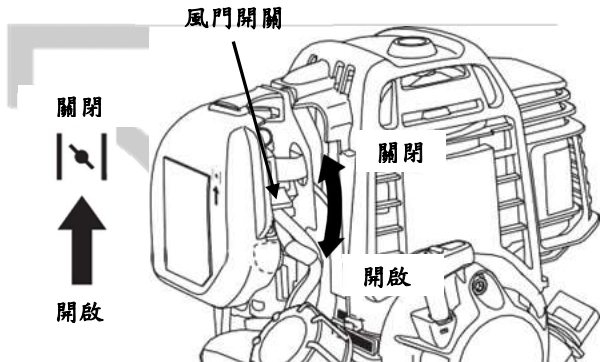
The CLOSED position enriches the fuel mixture for starting a cold engine. The OPEN position provides the correct fuel mixture for operation after starting, and for restarting a warm engine.



● 風門開關

風門開關制著汽化器中的油門閥。

CLOSED 位置會豐富燃料混合物，用於啟動冷引擎。OPEN 位置則提供啟動後正確的燃料混合物，以及重新啟動溫暖的引擎。

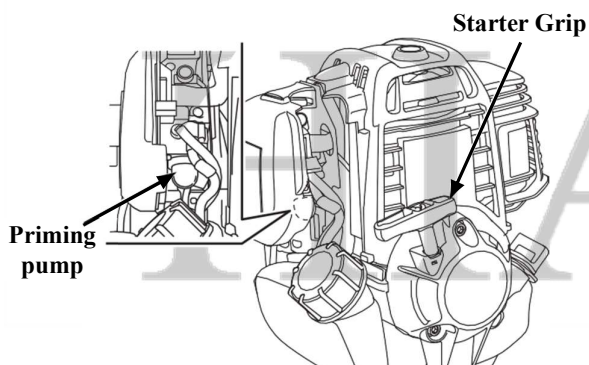


● Recoil starter

Pulling the starter grip operates the recoil starter to crank the engine for starting.

● Priming pump

Pressing the priming pump feeds the fuel from the fuel tank to the carburetor. This procedure is necessary for starting the engine.

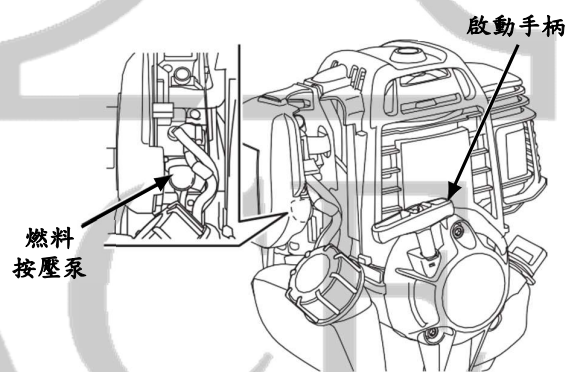


● 啟動手柄

拉動啟動手柄操作回彈式啟動器來轉動引擎以進行啟動。

● 燃料按壓泵

按下燃料按壓泵將燃料從油箱送至化油器。這個步驟對於啟動引擎是必要的。

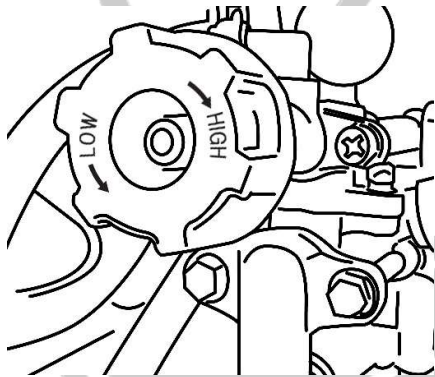


Controls 控制裝置

● Pressure dial

Use the pressure dial when adjusting the spraying pressure and amount.

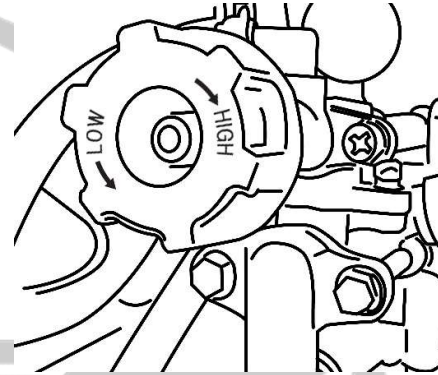
1. When you turn the pressure dial clockwise (HIGH), the spraying pressure and amount will increase.
2. When you turn the pressure dial counterclockwise (LOW), the spraying pressure and amount will decrease.



● 壓力調整旋鈕

使用壓力調節旋鈕來調整噴霧的壓力和量。

1. 當你向右轉動壓力調節旋鈕(HIGH), 噴霧的壓力和量會增加。
2. 當你向左轉動壓力調節旋鈕(LOW), 噴霧的壓力和量會減少。



HIACE

PRE-Operation Check 操作前檢查

For safe and efficient spraying, always make a pre-operation inspection before operating:

WARNING!

Before performing a pre-operation inspection, place the HPGS-50B on a level surface, stop the engine and make sure that the engine switch is in the OFF position to be certain the engine will not start accidentally.

Before each use, look around and underneath the engine for signs of oil or gasoline leaks.

1. Check the engine oil level.

Every 10 hours, check the engine oil level and replenish oil up to the upper limit if the engine is operated for long time continuously.

CAUTION!

Engine oil is a major factor affecting engine performance and service life. Nondetergent or vegetable oils are not recommended.

Check the engine oil level with the engine stopped and in a level position.

- A. Remove the oil filler cap.
- B. Check the oil level. If it is below the upper limit, fill with the recommended oil (see page 19) to the upper limit.
- C. Reinstall the oil filler cap securely.

Add the engine oil slowly to avoid overflowing, as the engine oil tank capacity is small.

為了安全和高效的噴霧，在操作前請務必進行操作前檢查：

警告!

在進行操作前檢查之前，請將 HPGS-50B 放置在水平表面，停止引擎，並確保引擎開關處於關閉位置，以確保引擎不會意外啟動。

每次使用前，請查看引擎周圍和底部是否有漏油或漏汽油的跡象。

1. 檢查引擎機油液位。

每隔 10 小時，檢查引擎機油液位。如果引擎連續長時間運行，請將機油補充到上限。

注意!

機油是影響引擎性能和使用壽命的主要因素。不推薦使用非清潔劑油或植物油。

在引擎停止且處於水平位置時檢查引擎機油液位。

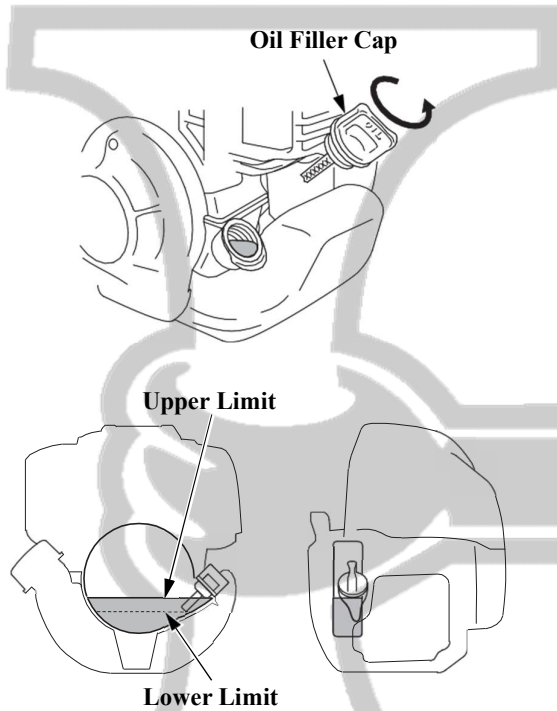
- A. 拆下機油箱蓋。
- B. 檢查機油液位。如果低於上限，使用建議的機油（參見第 19 頁）加注至上限。
- C. 安全地重新安裝機油箱蓋。

由於引擎機油箱容量較小，請慢慢加入機油，以避免溢出。

PRE-Operation Check 操作前檢查

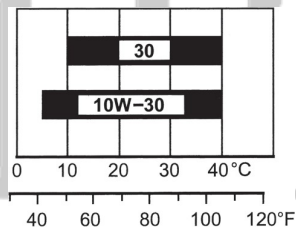
CAUTION!

- Running the engine with insufficient oil can cause serious engine damage.
- Be sure to check the engine on a level surface with the engine stopped.



Recommended Oil

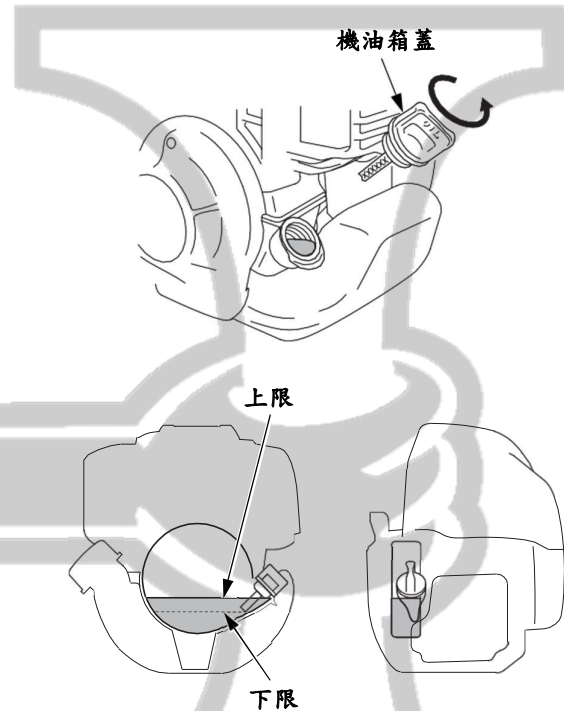
Use 4-stroke motor oil that meets or exceeds the requirements for API service classification SE or later (or equivalent). Always check the API service label on the oil container to be sure it includes the letters SE or later (or equivalent).



Ambient temperature

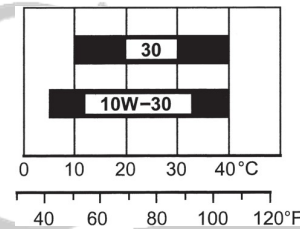
注意!

- 引擎機油不足運轉可能導致嚴重的引擎損壞。
- 請確保在停止引擎且平坦的地面上檢查引擎。



建議使用的機油

使用符合或超過 API 服務分類 SE 或更新要求 (或等效) 的 4 行程機油。始終檢查機油容器上的 API 服務標籤，以確保包含字母 SE 或更新 (或等效)。



環境溫度

PRE-Operation Check 操作前檢查

SAE 10W-30 is recommended for general use. Other viscosities shown in the chart may be used when the average temperature in your area is within the indicated range.

CAUTION!

Using nondetergent oil or 2-stroke engine oil could shorten the engine's service life.

2. Check the fuel level.

Use automotive unleaded gasoline with a Research Octane Number of 91 or higher (a Pump Octane Number of 86 or higher).

Never use gasoline that is stale, contaminated, or mixed with oil.

Avoid getting dirt or water in the fuel tank.

WARNING!

- Gasoline is extremely flammable and is explosive under certain conditions.
- Refuel in a well-ventilated area with the engine stopped. Do not smoke or allow flames or sparks in the area where the engine is refueled or where gasoline is stored.
- Do not overfill the fuel tank (there should be no fuel in the filler neck). After refueling, make sure the tank cap is closed properly and securely.
- Be careful not to spill fuel when refueling. Spilled fuel or fuel vapor may ignite. If any fuel is spilled, make sure the area is dry before starting the engine.
- Avoid repeated or prolonged contact with skin or breathing of vapor. **KEEP OUT OF REACH OF CHILDREN.**

建議一般使用 SAE 10W-30。當您所在地區的平均溫度在指示的範圍內時，也可以使用圖表中顯示的其他粘度等級。

注意!

使用非清潔劑油或二行程引擎油可能會縮短引擎的使用壽命。

2. 檢查燃料液位。

使用研究法數不低於 91 或更高(泵法數不低於 86 或更高)的無鉛汽車汽油。

切勿使用陳舊、受污染或與油混合的汽油。避免讓污垢或水進入燃油箱。

警告!

- 汽油極易燃，在特定條件下具有爆炸性。
- 在通風良好的地方停止引擎加油。加油時不要吸煙，也不要再在加油或存放汽油的地方靠近火焰或火花。
- 不要過度加滿油箱(加油口不應有汽油)。加油後，確保油箱蓋關閉緊密並正確。
- 加油時要注意不要濺出汽油。濺出的汽油或汽油蒸氣可能會引燃。如果有汽油濺出，確保在啟動引擎之前將該區域擦乾。
- 避免皮膚長時間接觸或吸入汽油蒸氣。保持遠離兒童的觸及範圍。

PRE-Operation Check 操作前檢查

CAUTION!

Gasoline substitutes are not recommended; they may be harmful to fuel system components.

注意!

不建議使用汽油替代品，因為它們可能對燃料系統組件有害。

NOTE

Gasoline spoils very quickly depending on factors such as light exposure, temperature and time. In worst cases, gasoline can be contaminated within 30 days.

Using contaminated gasoline can seriously damage the engine (carburetor clogged, valve stuck).

Such damage due to spoiled fuel is disallowed from coverage by the warranty.

To avoid this please strictly follow these recommendations:

- Only use specified gasoline.
- Use fresh and clean gasoline.
- To slow deterioration, keep gasoline in a certified fuel container.
- If long storage (more than 30 days) is foreseen, drain fuel tank and carburetor (see page 46).

A. Place the HPGS-50B horizontally, and check from the outside of the tank to see if there is enough fuel.

B. If the fuel level is low, refuel the fuel tank. Do not overfill the upper fuel level.

Remove the fuel tank cap gradually to release a pressurized air in the fuel tank. Fuel in the fuel tank may spout out, if the fuel tank cap is removed quickly.

提示

汽油的保存期限取決於光照、溫度和時間等因素，很快就會變質。在最糟糕的情況下，汽油可能在 30 天內被污染。

使用受污染的汽油可能會嚴重損壞引擎（例如化油器堵塞、閥門卡住）。

由於受損燃料引起的這些損壞不在保修範圍內。為了避免這種情況，請嚴格遵循以下建議：

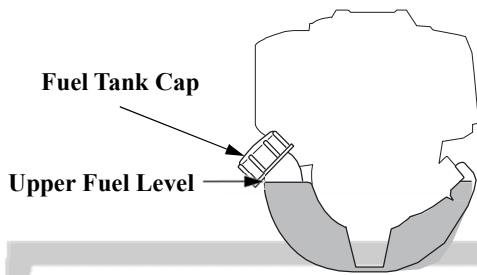
- 只使用指定的汽油。
- 使用新鮮和乾淨的汽油。
- 為了延緩變質，保持汽油在認證的燃料容器中。
- 如果預計存儲時間長（超過 30 天），應排空油箱和化油器（參見第 46 頁）。

A. 將 HPGS-50B 水平放置，從油箱外部檢查燃料是否足夠。

B. 如果燃料水位低，加滿油箱。不要過度加滿燃料。

逐步打開油箱蓋以釋放油箱中的壓力空氣。如果迅速拔掉油箱蓋，燃料可能會噴出。

PRE-Operation Check 操作前檢查



Gasoline containing alcohol

If you decide to use a gasoline containing alcohol (gasohol), be sure its octane rating is at least as high as that recommended by Honda.

There are two types of “gasohol”: one containing ethanol, and the other containing methanol.

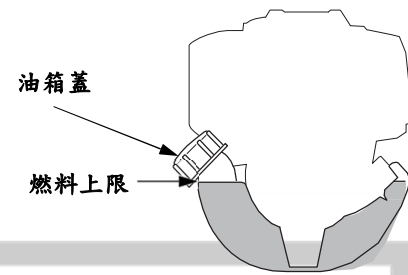
Do not use gasohol that contains more than 10% ethanol.

Do not use gasoline containing more than 5% methanol (methyl or wood alcohol) and that does not also contain co-solvents and corrosion inhibitors for methanol.

NOTE

- Fuel system damage or engine performance problems resulting from the use of gasoline that contains more alcohol than recommended is not covered under the warranty.
- Before buying gasoline from an unfamiliar station, first determine if the gasoline contains alcohol, if it does, find out the type and percentage of alcohol used.

If you notice any undesirable operating symptoms while using a particular gasoline. Switch to a gasoline that you know contains less than the recommended amount of alcohol.



含酒精的汽油

如果您決定使用含有酒精的汽油（又稱為「酒精汽油」），請確保其辛烷值至少與本田建議的相同。

酒精汽油有兩種類型：一種含乙醇，另一種含甲醇。

不要使用含有超過 10% 乙醇的酒精汽油。

不要使用含有超過 5% 甲醇（甲基或木質醇），且未添加甲醇的共溶劑和防腐劑的汽油。

提示

- 使用含有比建議更多酒精的汽油可能會導致燃料系統損壞或引擎性能問題，此類情況不在保修範圍內。
- 在從陌生加油站購買汽油之前，首先確定汽油是否含有酒精，如果有，了解使用的酒精類型和百分比。
如果在使用特定汽油時注意到任何不良操作症狀，請切換到您知道含有少於建議酒精量的汽油。

PRE-Operation Check 操作前檢查

3. Check the air cleaner element.

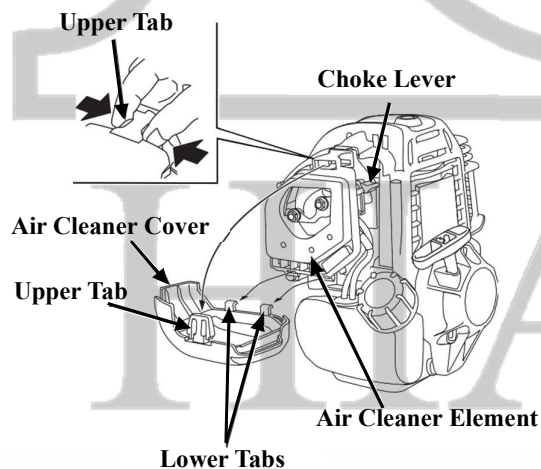
WARNING!

Never use gasoline or low flash point solvents for cleaning the air cleaner element. A fire or explosion could result.

CAUTION!

Never run the engine without the air cleaner. Rapid engine wear will result from contaminants, such as dust and dirt, being drawn through the carburetor, into the engine.

- Move the choke lever to the CLOSED position (see page 16).
- Remove the air cleaner cover by unhooking the upper tab on the top of the cover and its two lower tabs.
- Check the air cleaner element to be sure it is clean and in good condition. If the element is dirty, clean it (see page 38). Replace the element if it is damaged.
- Reinstall the element and the cover by inserting the lower tabs, then insert the upper tab.



3. 檢查空氣濾芯。

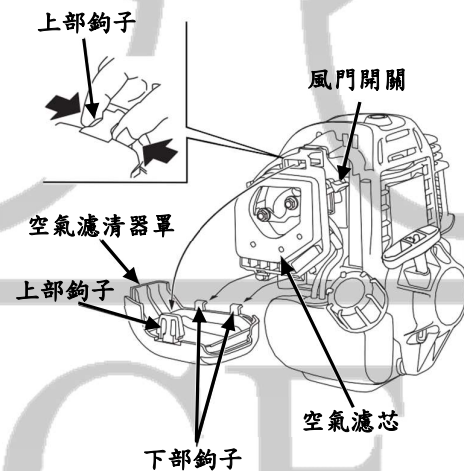
警告!

不要使用汽油或低閃點溶劑來清潔空氣濾芯。這可能導致火災或爆炸。

注意!

不要在沒有空氣濾芯的情況下運行引擎。這會導致引擎因進入的灰塵和污垢等污染物而迅速磨損。

- 將風門開關移至關閉(CLOSED)位置(參見第 16 頁)。
- 通過拆卸覆蓋頂部的上部鉤子及其兩個下部鉤子來移除空氣濾清器罩。
- 檢查空氣濾芯,確保其清潔且狀況良好。如果濾芯髒了,請清潔它(參見第 38 頁)。如果濾芯損壞,請更換。
- 重新安裝濾芯和罩子,先插入下部鉤子,然後插入上部鉤子。



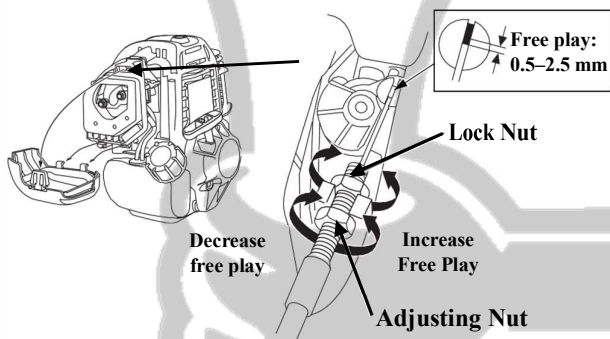
PRE-Operation Check 操作前檢查

4. Check the throttle cable free play.

- A. Remove the air cleaner cover (see page 23).
- B. Check the throttle cable free play at the tip of the cable by pulling and releasing the throttle lever a few times.

Free play: 0.5–2.5 mm

If the free play is incorrect, loosen the lock nut and turn the adjusting nut in or out as required to obtain the correct free play.



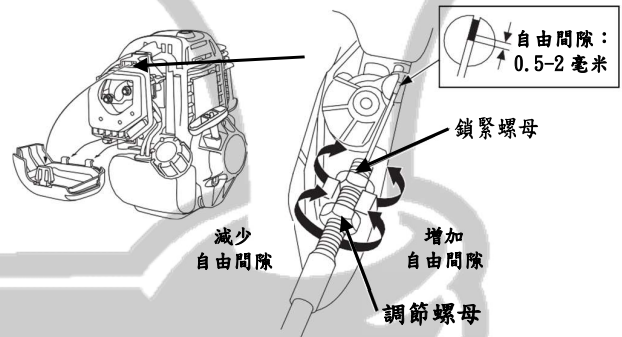
- C. Tighten the lock nut.
- D. Check the throttle lever operates smoothly.
- E. Reinstall the air cleaner cover (see page 23).

4. 檢查油門線的自由間隙。

- A. 取下空氣濾清器罩（參見第 23 頁）。
- B. 檢查油門線末端的自由間隙，方法是拉動並釋放加油器幾次。

自由間隙：0.5–2.5 毫米

如果自由間隙不正確，鬆開鎖緊螺母並根據需要將調節螺母轉進或轉出，以獲得正確的自由間隙。



- C. 緊鎖鎖緊螺母。
- D. 檢查加油器操作是否順暢。
- E. 安裝回空氣濾清器罩（參見第 23 頁）。

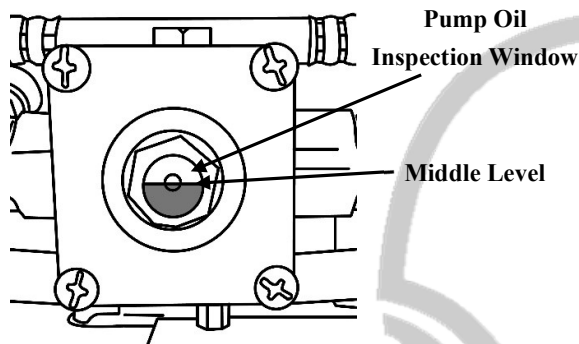
HIACE

PRE-Operation Check 操作前檢查

5. Check the pump oil.

Check if the pump oil is not contaminated and does not appear milky. Check that the oil level is not below from the middle level of the inspection window.

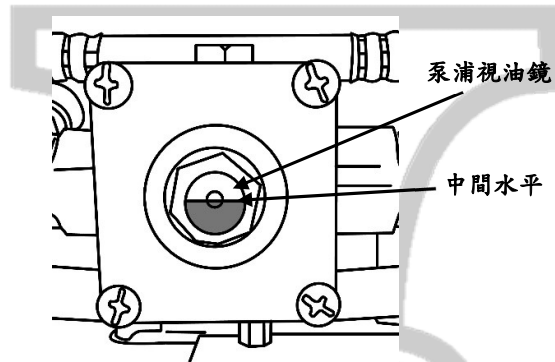
If you notice either condition, consult your servicing dealer.



5. 檢查泵浦的機油。

檢查泵浦的機油是否未受污染且未呈現乳狀混濁。確認油位不得低於視油鏡窗口的中間水平。

如果注意到任何一種情況，請諮詢您的服務經銷商。



6. Check the chemical tank and tank filter.

A. Remove the chemical tank cap and drain cap. Check the caps and packings for cracks or damage. If they are damaged, replace them.

B. Remove the tank filter. Check the tank filter for clog or damage.

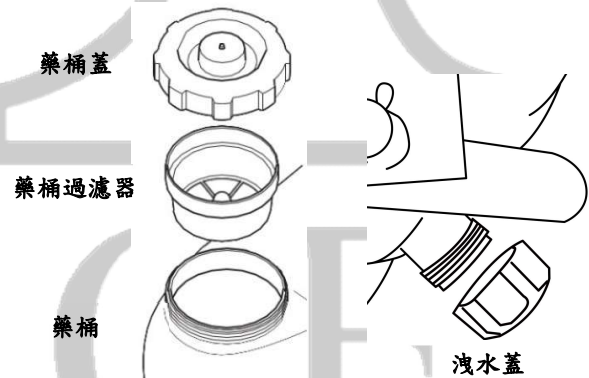
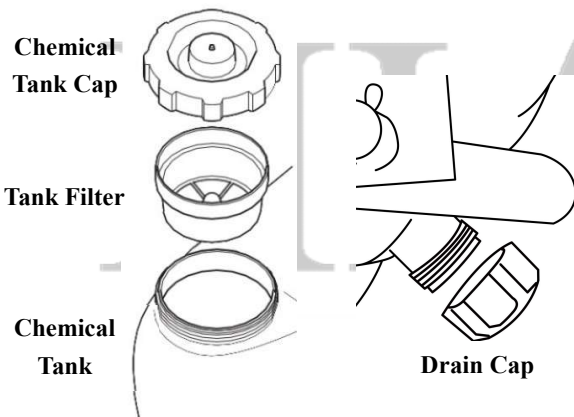
- If it is damaged, replace it.
- If it is dirty or clogged, clean it using water.

6. 檢查藥桶和藥桶過濾器。

A. 取下藥桶蓋和洩水蓋。檢查蓋子和密封圈是否有裂紋或損壞。如有損壞，請更換。

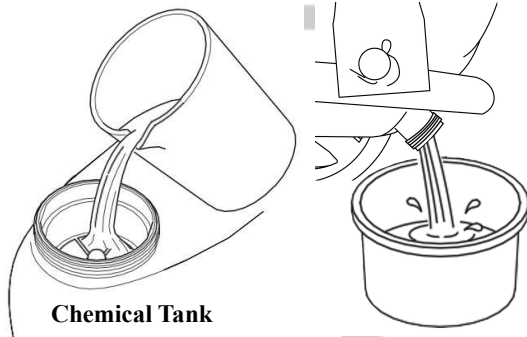
B. 取下藥桶過濾器。檢查藥桶過濾器是否堵塞或損壞。

- 如果損壞，請更換。
- 如果髒污或堵塞，使用水清潔。



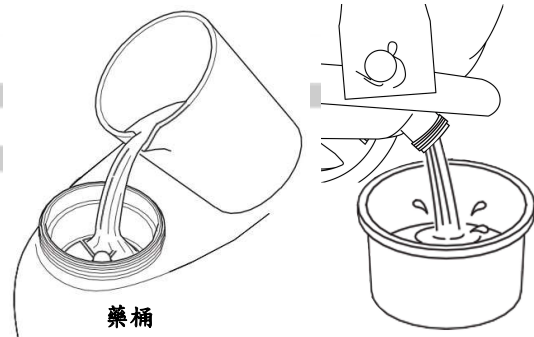
PRE-Operation Check 操作前檢查

- C. Check the chemical tank for cracks or damage.
- If it is cracked or damaged, replace it.
 - If the inside of the chemical tank is dirty, clean it using water.



Chemical Tank

- C. 檢查藥桶是否有裂紋或損壞。
- 如果有裂紋或損壞，請更換。
 - 如果化學槽內部髒污，使用水清潔。



藥桶

- D. Install the tank filter.
- E. Tighten the chemical tank cap and drain cap securely.

- D. 安裝藥桶過濾器。
- E. 確實緊固藥桶蓋和洩水蓋。

7. Fill agricultural chemicals into the tank.

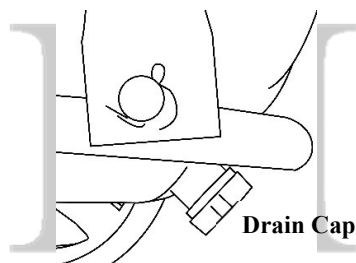
Read the instructions of the chemical carefully. Always follow the directions and precautions preparation and handling of the chemical.

Make sure that the drain cap is securely tightened when filling agricultural chemicals into the tank.

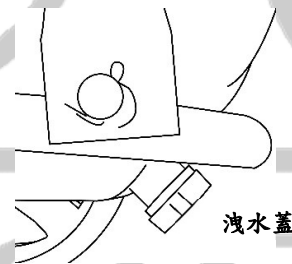
7. 將農藥注入藥桶中。

仔細閱讀化學品的使用說明。始終遵循化學品的準備和處理指引和注意事項。

在注入農藥到藥桶中時，確保洩水蓋緊固牢固。



Drain Cap



洩水蓋

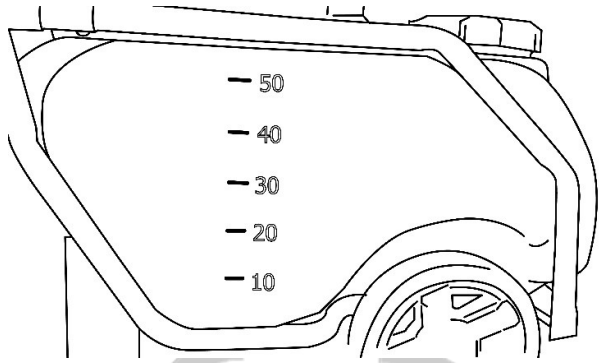
在平坦的表面上，通過使用藥桶過濾器將農藥注入藥桶中。

On a level surface, fill agricultural chemical into the tank by using the tank filter.

PRE-Operation Check 操作前檢查

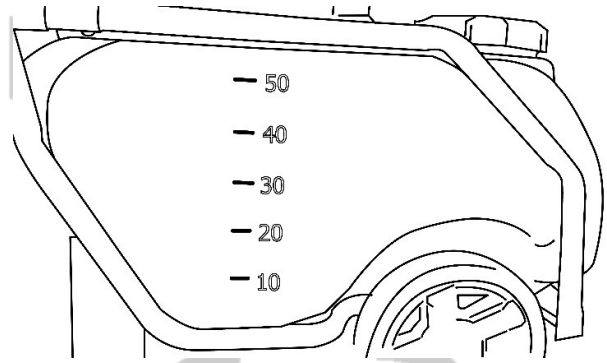
NOTE

When you fill agricultural chemicals into the tank, be sure to use the tank filter. Any foreign substance or dust will cause trouble to the pump and nozzle.



提示

當您將農藥注入藥桶中時，請務必使用藥桶過濾器。任何異物或灰塵都可能導致泵浦和噴嘴出現問題。



Starting The Engine 啟動引擎

WARNING!

- Exhaust gas contains poisonous carbon monoxide. Never run the engine in an enclosed area. Be sure to provide adequate ventilation.
- Start the engine in a place away from the people, pets, and surrounding buildings. Be sure there are no obstacles in the working area.

警告!

- 排氣中含有有毒的一氧化碳。切勿在密閉區域內運行引擎。請確保提供充足的通風。
- 在遠離人群、寵物和周圍建築物的地方啟動引擎。確保工作區域內沒有障礙物。

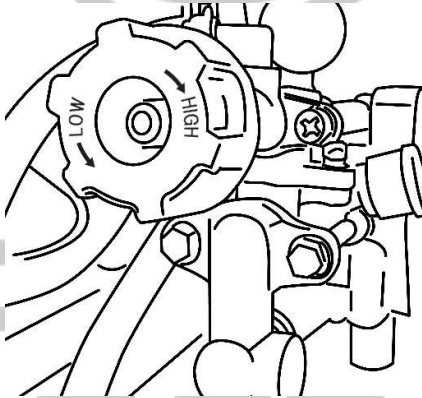
Starting The Engine 啟動引擎

NOTE

Do not operate the HPGS-50B without sufficient amount of chemicals in the chemical tank. Fill 1 Liter or more chemicals into the chemical tank (see page 26).

- To prevent the use of the HPGS-50B without sufficient amount of chemicals in the tank, as soon as the nozzle has stopped spraying chemicals, stop the engine.
- If the amount of chemicals in the chemical tank becomes 1 Liter or less, the pump sucks air, and will prevent spraying chemical.
- If you continue to operate the HPGS-50B without sufficient amount of chemicals, the pump may be damaged.

1. Turn the pressure dial counterclockwise (LOW) till it stops and set it to totally- closed state.

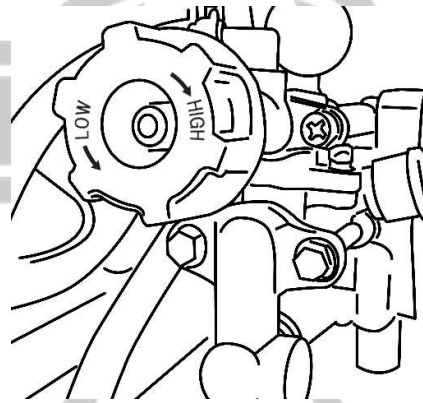


提示

請勿在化學槽中化學品不足的情況下 HPGS-50B。將 1 公升或更多化學品注入化學槽（參見第 26 頁）。

- 為了防止在藥桶中化學品不足的情況下使用 HPGS-50B，一旦噴嘴停止噴出化學品，請立即停止引擎。
- 如果藥桶中的化學品量減少到 1 公升或更少，泵浦會吸入空氣，阻止化學品的噴灑。
- 如果繼續操作 HPGS-50B 且化學品不足，可能會損壞泵浦。

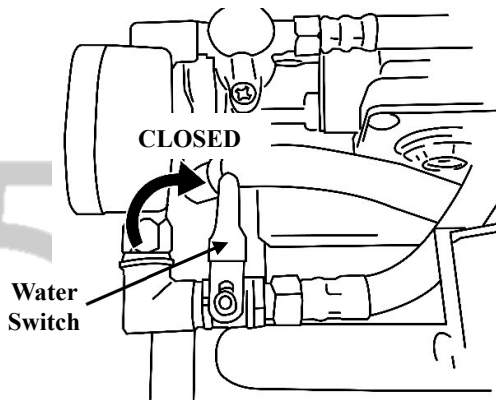
1. 旋鈕逆時針轉至底部並完全關閉。



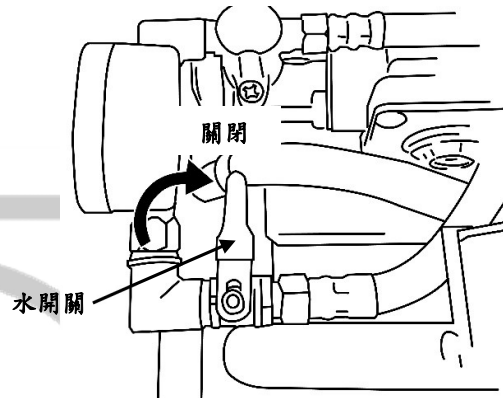
HIACE

Starting The Engine 啟動引擎

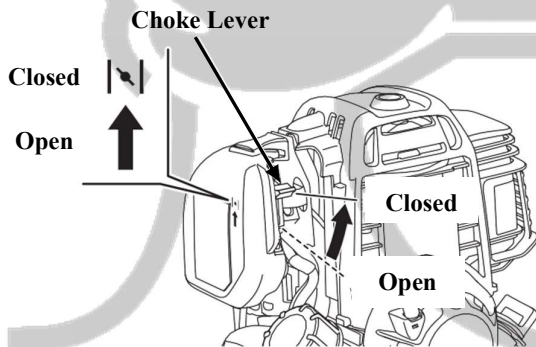
2. Turn the Water Switch valve to the CLOSED position.



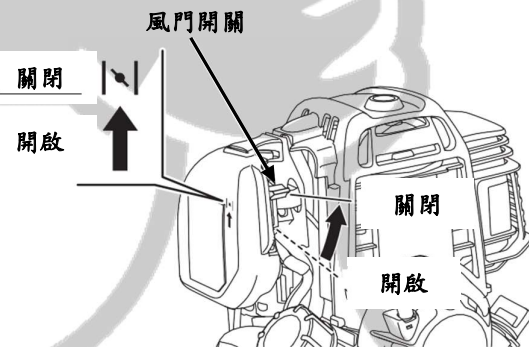
2. 將水開關轉至關閉位置。



3. To start a cold engine, move the choke lever to the CLOSED position.
To restart a warm engine, leave the choke lever in the OPEN position.



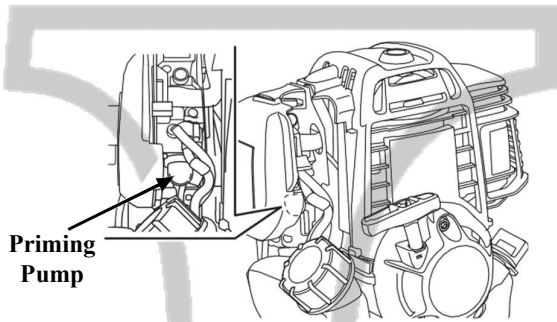
3. 要啟動冷引擎，將風門開關移至關閉位置。
要重新啟動溫暖的引擎，保持風門開關在開啟位置。



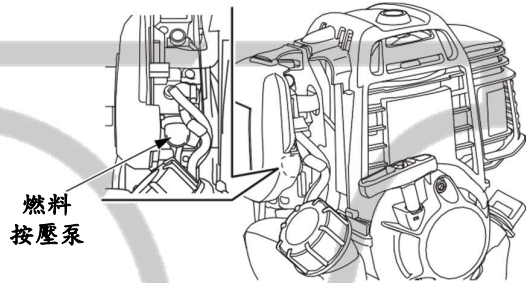
HIACE

Starting The Engine 啟動引擎

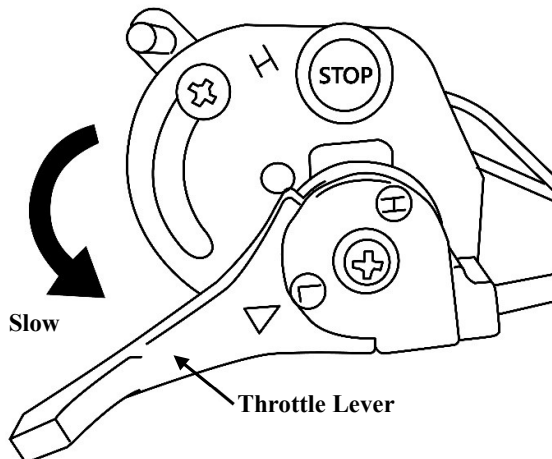
4. Press the priming pump several times until the priming pump is filled with fuel. Even if the priming pump is pressed too many times, the extra fuel will return to the fuel tank. If the priming pump is not pressed enough, the engine may not start.



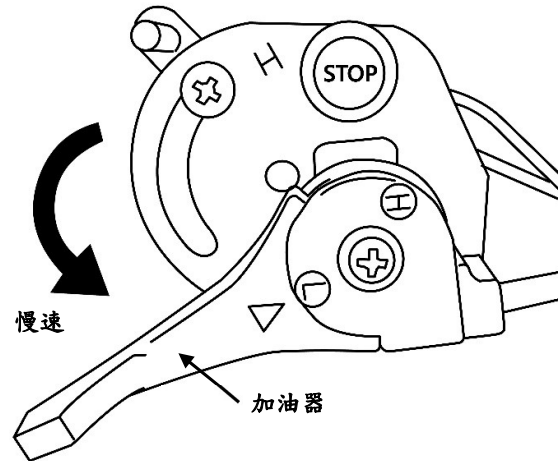
4. 按下燃料按壓泵數次，直到燃料按壓泵充滿燃料。即使燃料按壓泵按壓過多次，多餘的燃料也會返回到油箱。如果燃料按壓泵按壓不足，引擎可能無法啟動。



5. Make sure that the throttle lever is in the SLOW position.



5. 確保加油器處於慢速位置。



HIACE

Operation 操作

Read and understand the for safe operation on pages 3 to 12 before operating the HPGS-50B.

If you notice any abnormal sound, smell, vibration or other unusual signs, stop the engine immediately and consult your authorized Hiace Engine dealer.

Before operation

- Fill 1 Liter or more agricultural chemicals into the chemical tank while keeping the chemical tank in a level position (see page 26).
- Make sure that the shut-off valve is to the CLOSED position (see page 16).
- Make sure that the throttle lever is in the SLOW position (see page 15).
- Make sure that the pressure dial has been turned counterclockwise (LOW) till it stops and is set to the totally-CLOSED position (see page 17).

Operation

1. Place the HGPS-50B on a flat surface.
2. Press down on the rear wheel locking pedal to stabilize the HGPS-50B.
3. Start the engine according to the engine start procedure (see page 27).
4. Turn the shut-off valve to the OPEN position.
5. Turn the pressure dial towards clockwise (HIGH) to make the spraying pressure suited for the operating conditions.
 - When you turn the pressure dial clockwise (HIGH), the spraying pressure and amount will increase.
 - When you turn the pressure dial counterclockwise (LOW), the spraying pressure and amount will decrease.

在操作 HPGS-50B 前，請先閱讀並理解第 3 至 12 頁的正確使用須知。

如果發現任何異常聲音、氣味、震動或其他不尋常的跡象，請立即停止引擎並諮詢授權的弘揚經銷商。

操作前

- 向藥桶中注入 1 升或更多農業化學品，同時保持藥桶水平（參見第 26 頁）。
- 確保風門開關處於關閉位置（參見第 16 頁）。
- 確保加油器處於慢速位置（參見第 15 頁）。
- 確保壓力調整旋鈕已逆時針轉至最低並處於完全關閉位置（參見第 17 頁）。

操作

1. 將 HPGS-50B 停在平坦的地面上。
2. 踩下後輪固定踏板，穩定 HPGS-50B。
3. 根據引擎啟動程序啟動引擎（參見第 27 頁）。
4. 將水開關轉到開啟位置。
5. 將壓力旋鈕順時針轉動（HIGH）以調整噴霧壓力，使其適合操作條件。
 - 當你將壓力旋鈕順時針轉動（HIGH）時，噴霧壓力和噴霧量會增加。
 - 當你將壓力旋鈕逆時針轉動（LOW）時，噴霧壓力和噴霧量會減少。

Operation 操作

8. Move the throttle lever at the desired position while observing the spray condition.

NOTE

The centrifugal clutch is used in this HPGS-50B. When the engine is rotating in low speed range, the clutch is slipping and the pump does not operate.

Do not use the HPGS-50B in this rotation range that makes the clutch slip. Otherwise, the clutch may be damaged.

During operation

- Do not point the nozzle at others.
- Pay attention to the rest of chemicals in the tank.

To prevent the use of the HPGS-50B without sufficient amount of chemicals in the tank, as soon as the nozzle has stopped spraying chemicals, stop the engine, or the pump may be damaged.

Fill 1 Liter or more chemicals into the chemical tank (see page 26).

After operation

When handling agricultural chemicals, follow the directions of the manufacturer or distributor. Also, follow the laws and regulations.

1. Press down on the rear wheel locking pedal to stabilize the HGPS-50B.
2. Stop the engine (see page 15).
3. After the engine cooled, remove the drain cap to drain the agricultural chemicals from the chemical tank.
4. Install the drain cap and remove the chemical tank cap to pour clean water into the tank to rinse its inside.
5. Start the engine again (see page 27) and move the throttle lever between the FAST position and the SLOW position (see page 15). Move the shut-off valve a few times. Spray a few minutes. Remove the drain cap again to drain the water from the tank.

8. 在觀察噴霧情況的同時，將加油器移動到所需的位置。

提示

這款 HPGS-50B 使用離心離合器。當引擎在低速範圍內轉動時，離合器會打滑，泵浦不會運作。

不要在造成離合器打滑的轉速範圍內使用 HPGS-50B。否則，離合器可能會受損。

操作期間

- 不要將噴嘴對準他人。
- 注意藥桶中的剩餘化學品量。
為了防止 HPGS-50B 在藥桶中化學品不足的情況下使用，一旦噴嘴停止噴灑化學品，請立即停止引擎，否則泵浦可能會受損。
請向藥桶中注入 1 升或更多的化學品（參見第 26 頁）

操作結束後

處理農藥時，應遵循製造商或經銷商的指示，並遵守相關法律法規。

1. 踩下後輪固定踏板，穩定 HGPS-50B。
2. 停止引擎（參見第 15 頁）。
3. 引擎冷卻後，打開洩水蓋，從藥桶中排出農藥。
4. 安裝洩水蓋，拆下藥桶蓋以將清水倒入箱內沖洗。
5. 再次啟動引擎（參見第 27 頁），並將加油器在快速位置和慢速位置之間移動（參見第 15 頁）。幾次移動風門開關。噴灑幾分鐘。再次移除洩水蓋以排出藥桶內的水。

Maintenance 維護保養

Periodic inspection and adjustment of the HPGS-50B are essential if high level performance is to be maintained. Regular maintenance will also help to extend service life. The required service intervals and the kind of maintenance to be performed are described in the table in the following page.

WARNING!

- Before performing any maintenance, place the HPGS-50B on a flat surface, stop the engine, and ensure the engine is in the off position to prevent accidental starting.
- The HPGS-50B should be serviced by an authorized Hiace Engine dealer unless the owner has proper tools and service data and feels he or she is mechanically qualified.

CAUTION!

Use only genuine Honda parts or their equivalent for maintenance or repair. Replacement parts which are not of equivalent quality may damage the HPGS-50B.

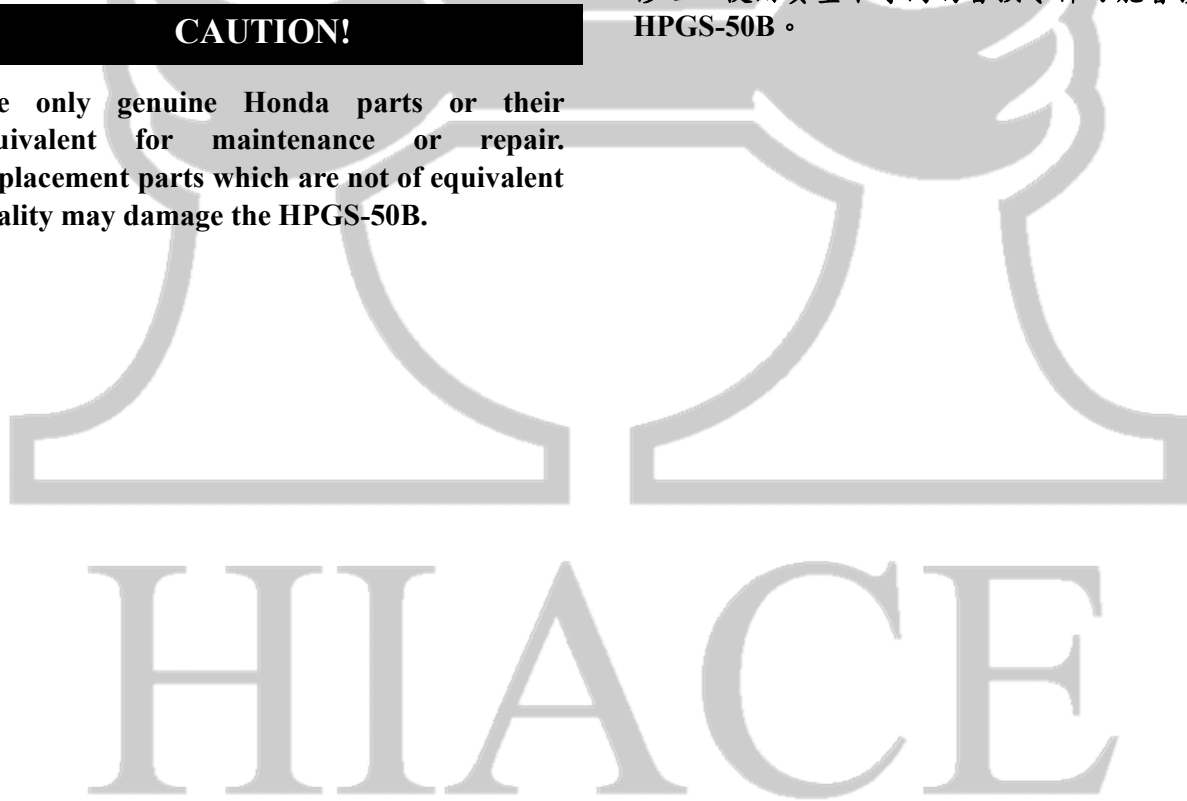
定期檢查和調整 HPGS-50B 至關重要，以保持高水平的性能。定期維護還有助於延長使用壽命。所需的服務間隔和應進行的維護類型在下一頁的表格中有詳細描述。

警告!

- 在進行任何維護之前，將 HPGS-50B 放在平坦的表面上，停止引擎，並確保引擎處於關閉狀態，以確保引擎不會意外啟動。
- 除非擁有適當的工具和服務數據並認為自己具有機械修護能力，否則應由授權的弘揚經銷商維修 HPGS-50B。

注意!

僅使用正品本田零件或其等效品進行維護或修理。使用質量不等同的替換零件可能會損壞 HPGS-50B。



Maintenance 維護保養

ITEM		REGULAR SERVICE PERIOD ⁽³⁾ Perform at every indicated month or operating hour interval, whichever comes first.						
		Each Use	First month or 10 hrs.	Every 3 months or 25 hrs.	Every 6 months or 50 hrs.	Every year or 100 hrs.	Every 2 years or 300 hrs.	Refer To Page
Engine Oil	Check level	●						
	Change		●		●			
Air Cleaner	Check	●						
	Clean			● ⁽¹⁾				
Spark Plug	Check-adjust					●		
	Replace						●	
Engine Cooling Fins	Clean				●			
Nuts, Bolts, Fasteners	Check Retighten if necessary	●						
Throttle Cable	Check-adjust	●						
Clutch Shoe and Drum	Check				● ⁽²⁾			
Idle Speed	Check-adjust					● ⁽²⁾		
Valve Clearance	Check-adjust					● ⁽²⁾		
Combustion Chamber	Clean		After every 300 hrs. ⁽²⁾					
Fuel Filter	Clean					●		
Fuel Tank	Clean					●		
Fuel Tube	Check		Every 2 years. (Replace if necessary) ⁽²⁾					
Oil Tube	Check		Every 2 years. (Replace if necessary) ⁽²⁾					
Seal Rubber (Pump)	Check Replace if necessary				● ⁽²⁾			
Leakage From Pump	Check							
Chemical Tank and Filter	Check-clean	● ⁽⁴⁾						
Pump Oil	Check level	●						
	Change		● ⁽²⁾			● ⁽²⁾		
Hose	Check	●						
Pump Grease (Grease Cup)	Supply to pump		Every 2 hrs. ⁽⁵⁾					
	Refill		When Grease cup has turned till the end. ⁽⁶⁾					

(1) Service more frequently when used in dusty areas.

(2) These items should be serviced by your servicing dealer, unless you have the proper tools and are mechanically proficient.

(3) For commercial use, log hours of operation to determine proper maintenance intervals.

(4) After starting the engine, check for chemical leakage from the pump.

(5) Turn both Grease cups, fully two turns, after each 2 hours of operation.

(6) Refill both Grease cups with pump grease, when the Grease cup has been turned till the end.

Maintenance 維護保養

項目		定期服務週期 ⁽³⁾ 根據每個指示的月份或操作小時間隔，以先到者為準進行服務。						參考頁面
		每次使用	首次月度 或 每10小時	每3個月 或 每25小時	每6個月 或 每50小時	每年 或 每100小時	每2年 或 每300小時	
引擎油	檢查液位	●						
	更換		●		●			
空氣濾清器	檢查	●						
	清潔			● ⁽¹⁾				
火星塞	檢查並調整					●		
	更換						●	
引擎冷卻膜片	清潔				●			
螺母、螺栓、緊固件	檢查 (如有必要重新緊固)	●						
加油線	檢查並調整	●						
離合器片	檢查				● ⁽²⁾			
怠速速度	檢查並調整					● ⁽²⁾		
風門間隙	檢查並調整					● ⁽²⁾		
燃燒室	清潔	每 300 小時候 ⁽²⁾						
燃油過濾器	清潔					●		
燃油箱	清潔					●		
燃油管	檢查	每 2 年 1 次(如有必要請更換) ⁽²⁾						
機油管	檢查	每 2 年 1 次(如有需要請更換) ⁽²⁾						
密封橡膠(泵浦)	檢查(如有必要請更換)				● ⁽²⁾			
泵浦漏油	檢查							
藥桶及過濾器	檢查並清潔	● ⁽⁴⁾						
泵浦油	檢查液位	●						
	更換		● ⁽²⁾			● ⁽²⁾		
軟管	檢查	●						
泵浦潤滑脂(黃油杯)	供應至泵浦	每 2 個小時 1 次 ⁽⁵⁾						
	補充	當黃油杯旋轉至終點時 ⁽⁶⁾						

(1) 在灰塵多的地區使用時，需更頻繁進行服務。

(2) 除非您具有適當的工具並且具有機械修護能力，否則這些項目應由您的服務經銷商進行服務。

(3) 對於商業用途，記錄運行時間以確定適當的維護間隔。

(4) 啟動引擎後，檢查泵浦是否有化學品洩漏。

(5) 每 2 小時操作後，將兩個黃油杯完全旋轉兩圈。

(6) 當黃油杯旋轉至終點時，重新填充泵浦潤滑脂至黃油杯。

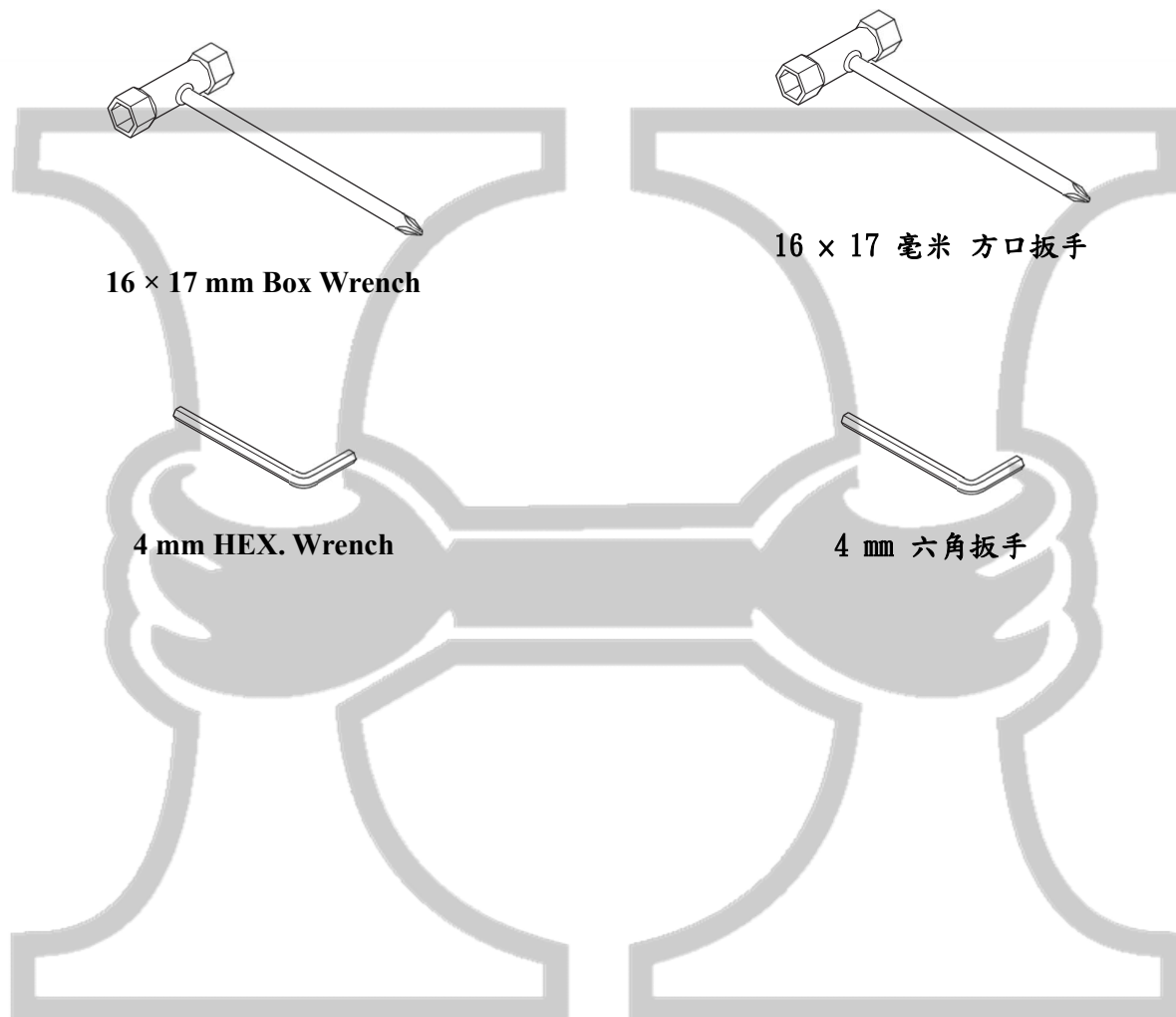
Maintenance 維護保養

Tool kit

The tools supplied are necessary for performing some periodic maintenance, simple adjustments and repairs.

工具包

所提供的工具對於進行一些定期維護、簡單調整和修理是必要的。



HIACE

Maintenance 維護保養

Changing oil

Drain the oil while the engine is still warm to assure rapid and complete draining.

Place the HPGS-50B on a firm level surface with the engine stopped.

1. Check the fuel tank cap is tightened securely.
2. Remove the oil filler cap and drain the oil into the oil container by inclining the engine toward the oil filler neck.
3. Refill to the upper limit with the recommended oil (see page 19). Add the engine oil slowly to avoid overflowing, as the engine oil tank capacity is small.

OIL CAPACITY: 0.08 L

4. Install the oil filler cap securely. If any oil is spilled, make sure to wipe it. Wash your hands with soap and water after handling used oil.

NOTE

Please dispose of used motor oil in a manner that is compatible with the environment. We suggest you to take it in a sealed container to your local service station for reclamation. Do not throw it in the trash or pour it on the ground, or down a drain.

更換機油

在引擎仍然溫暖的情況下排放機油，以確保快速和完全排放。

將 HPGS-50B 放在停止引擎的堅固平面上。

1. 檢查油箱蓋是否緊固牢固。
2. 拆下機油蓋，通過傾斜引擎朝向機油加注口，將機油排放到機油容器中。
3. 使用建議的機油（參見第 19 頁）重新填充到上限。由於引擎機油箱容量較小，慢慢加入機油以避免溢出。

機油容量：0.08 公升

4. 安全地安裝機油蓋。如果機油濺出，請確保擦拭乾淨。處理使用過的機油後，請用肥皂和水洗手。

提示

請以與環境相容的方式處置使用過的機油。建議您將其裝入密封容器，送至當地服務站進行回收利用。請勿將其丟棄在垃圾桶中，或倒在地面上或下水道中。

HIACE

Maintenance 維護保養

Air cleaner service

A dirty air cleaner will restrict air flow to the carburetor. To prevent carburetor malfunction, service the air cleaner regularly. Service more frequently when operating the HPGS-50B in extremely dusty areas.

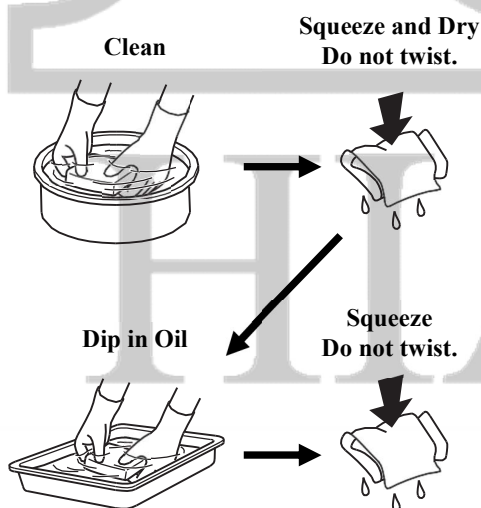
WARNING!

Never use gasoline or low flash point solvents for cleaning the air cleaner element. A fire or explosion could result.

CAUTION!

Never run the engine without the air cleaner. Rapid engine wear will result.

1. Move the choke lever to the CLOSED position (see page 16).
2. Remove the air cleaner cover by unhooking the upper tab on the top of the cover and its two lower tabs.
3. Remove the air cleaner element.
4. Wash the element in a nonflammable or high flash point solvent and dry it thoroughly. Soak the element in clean engine oil and squeeze out the excess oil.



空氣濾清器保養

髒污的空氣濾清器會限制空氣流向化油器。為了防止化油器故障，定期進行空氣濾清器的維護。在極度灰塵的地區操作 HPGS-50B 時，應更頻繁進行維護。

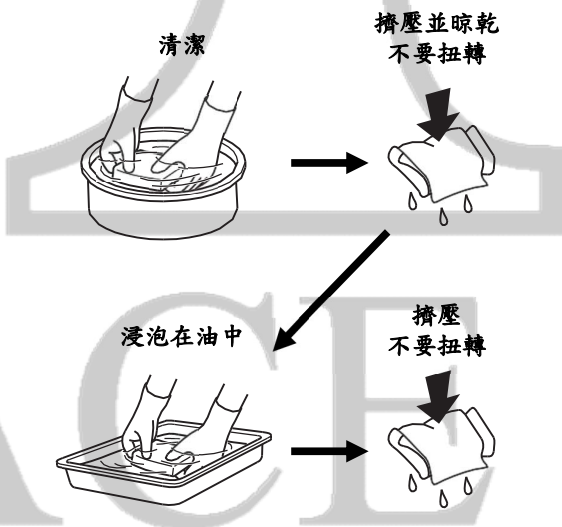
警告!

絕不要使用汽油或低閃點溶劑來清潔空氣濾清器元件，否則可能引發火災或爆炸。

注意!

絕不要在沒有空氣濾清器的情況下運行引擎，這將導致引擎快速磨損。

1. 將風門開關移至關閉位置（參見第 16 頁）。
2. 通過解開濾清器蓋頂部的上方鉤子及其兩個下方鉤子，移除空氣濾清器蓋。
3. 取出空氣濾清器元件。
4. 使用不可燃或高閃點溶劑清洗元件，並徹底晾乾。
在乾淨的引擎油中浸泡元件並擠出多餘的油。



Maintenance 維護保養

5. Wipe dirt from the air cleaner body and cover, using a moist rag. Be careful to prevent dirt from entering the carburetor.
6. Reinstall the air cleaner element.
7. Reinstall the air cleaner cover by inserting the lower tabs, then insert the upper tab.

Spark plug service

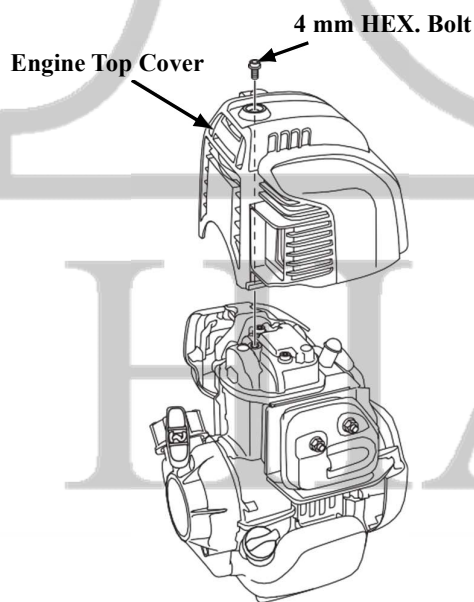
Recommended spark plug: NGK CMR5H

CAUTION!

Never use a spark plug of incorrect heat range.

To ensure proper engine operation, the spark plug must be properly gapped and free of deposits.

1. Loosen the 4 mm hex. bolt, then remove the engine top cover.
Do not pull the starter grip and start the engine without the engine top cover. There are rotating part and hot parts under the cover.



5. 使用濕布擦拭空氣濾清器本體和蓋子上的污垢。注意防止污垢進入化油器。
6. 重新安裝空氣濾清器元件。
7. 重新安裝空氣濾清器蓋，先插入下部鉤子，然後插入上部鉤子。

火星塞保養

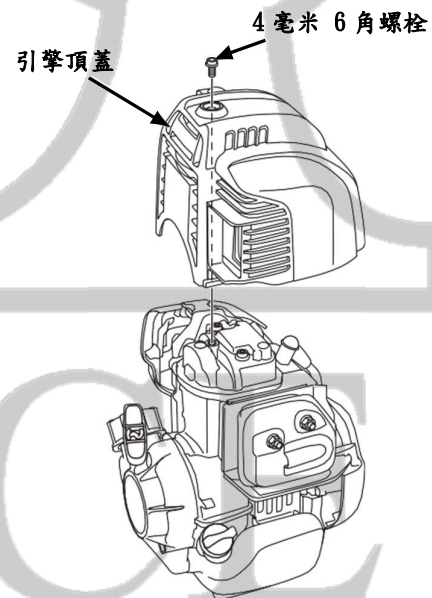
推薦的火星塞：NGK CMR5H

注意！

絕不要使用熱範圍不正確的火星塞。

為確保引擎正常運行，火星塞必須正確間隙並且沒有積碳。

1. 鬆開 4 毫米六角螺栓，然後移除引擎頂部蓋。
不要在沒有引擎頂部蓋的情況下拉動啟動手柄或啟動引擎。頂部蓋下方有旋轉部件和熱部件。



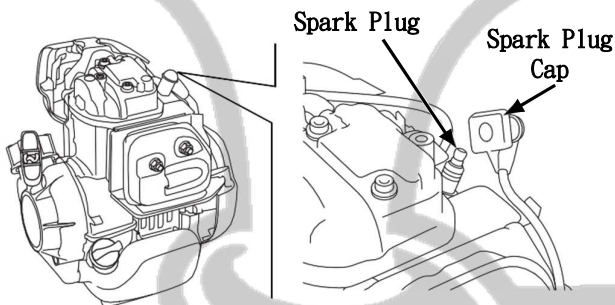
Maintenance 維護保養

2. Remove the spark plug cap. Remove any dirt from around the spark plug area.
3. Use the 16 × 17 mm box wrench to remove the spark plug.

2. 拆下火星塞帽。清除火星塞周圍的任何污垢。
3. 使用 16 × 17 毫米的方口扳手拆下火星塞。

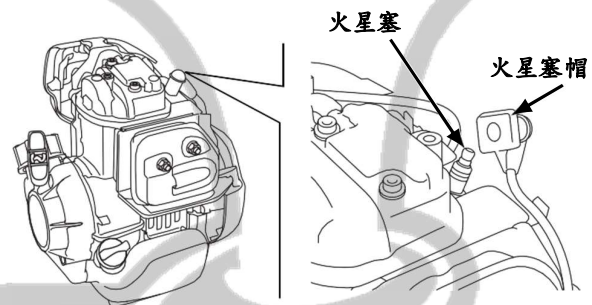
WARNING!

If the engine has been running, the muffler will be very hot. Be careful not to touch the muffler.



警告!

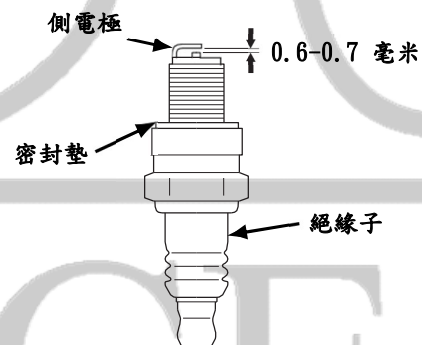
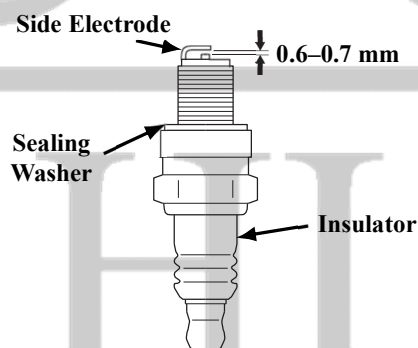
如果引擎一直在運行，消聲器會非常熱。請小心不要觸碰消聲器。



4. Visually inspect the spark plug. Discard the spark plug if there is apparent wear, or if the insulator is cracked or chipped. Clean the spark plug with a wire brush if it is to be reused.
5. Measure the plug gap with a feeler gauge. Correct as necessary by bending the side electrode.

4. 目視檢查火星塞。如果火星塞顯示明顯磨損，或者絕緣子有裂紋或碎裂，應予以更換。如果要重複使用，用鋼絲刷清潔火星塞。
5. 使用規縫規測量火星塞間隙。必要時通過彎曲側電極來進行校正。

The gap should be: 0.6–0.7 mm



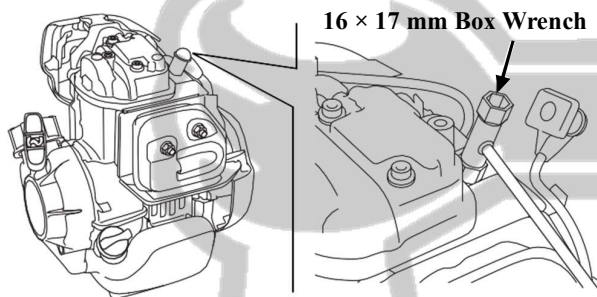
Maintenance 維護保養

6. Check that the sealing washer is in good condition, and thread the spark plug in by hand to prevent cross-threading.
7. After the spark plug is seated, tighten with the 16 × 17 mm box wrench to compress the washer.

NOTE

When installing a new spark plug, tighten 1/2 turn after the spark plug seats to compress the washer. When reinstalling a used spark plug, tighten 1/8–1/4 turn after the spark plug seats to compress the washer.

TORQUE: 11.8 N·m (1.2 kgf·m, 8.7 lbf·ft)



8. Attach the spark plug cap.
9. Install the engine top cover and tighten the 4 mm hex. bolt securely.

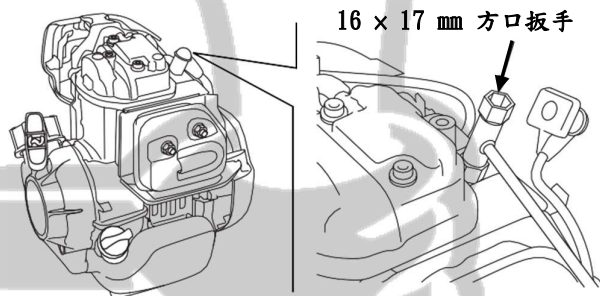
CAUTION!

The spark plug must be securely tightened. An improperly tightened spark plug can become very hot and may damage the engine.

6. 檢查密封墊狀況良好，用手旋轉火星塞，避免交叉螺紋。
7. 火星塞安裝到位後，使用 16 × 17 毫米方口扳手緊固，壓縮墊圈。

提示

安裝新火星塞時，火星塞座位後再緊固 1/2 圈以壓縮墊圈。重新安裝已使用的火星塞時，火星塞座位後再緊固 1/8 至 1/4 圈以壓縮墊圈。
扭力：11.8 N·m (1.2 kgf·m, 8.7 lbf·ft)



8. 安裝火星塞帽。
9. 安裝引擎頂部蓋，並緊固 4 毫米六角螺栓。

注意!

火星塞必須緊固牢固。未正確緊固的火星塞可能會變得非常熱，並可能損壞引擎。

Maintenance 維護保養

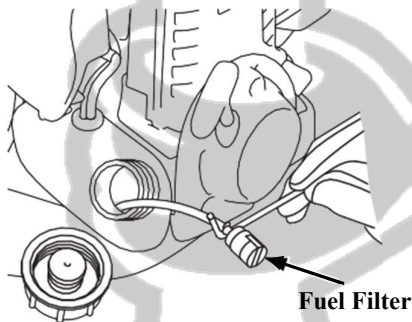
Fuel filter and fuel tank cleaning

WARNING!

Gasoline is extremely flammable and is explosive under certain conditions.

Do not smoke or allow flames or sparks in the area.

1. Check the oil filler cap is tightened securely.
2. Remove the fuel tank cap and drain the fuel into the container by inclining the engine toward the fuel filler neck.
3. Pull out the fuel filter with the mechanic's wire from the fuel filler neck gently.



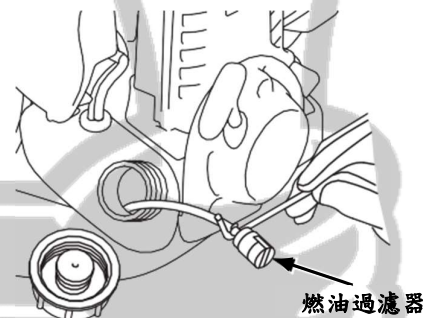
4. Check the fuel filter of its dirt. If the fuel filter is dirty, wash it gently with nonflammable or high flash point solvent. If the fuel filter is excessively dirty, replace it.
5. Remove water and dirt stood in the fuel tank by rinsing the inside of the fuel tank with nonflammable or high flash point solvent.
6. Return the fuel filter into the fuel tank and tighten the fuel tank cap securely.

燃油過濾器 and 油箱清潔

警告!

汽油極其易燃，在某些條件下會爆炸。請勿在此區域吸煙或使用明火或火花。

1. 確認機油箱蓋已緊固。
2. 取下油箱蓋，將引擎傾斜至油箱口，將燃油排入容器中。
3. 用維修用的金屬線輕輕從油箱口拉出燃油過濾器。



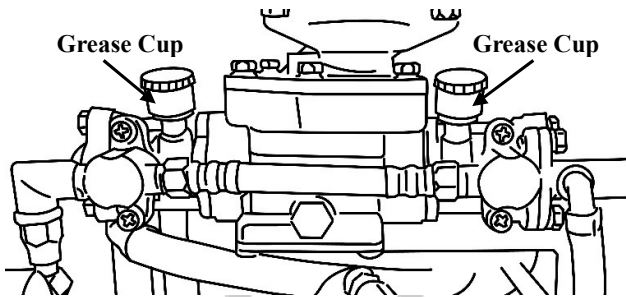
4. 檢查燃油過濾器是否髒污。如果燃油過濾器髒了，用不易燃或高閃點的溶劑輕輕清洗。如果燃油過濾器過髒，請更換它。
5. 用不易燃或高閃點的溶劑沖洗油箱內部，以去除油箱中的水和污垢。
6. 將燃油過濾器放回油箱並緊固油箱蓋。

HIACE

Maintenance 維護保養

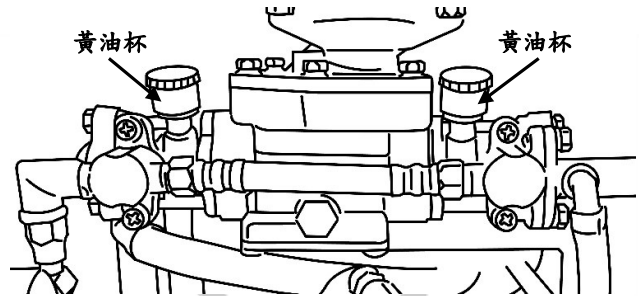
Supplying the pump grease to the pump

Every 2 hours, turn the grease cups on both the right and left sides clockwise by two turns so that the dials on both sides have the same number of revolutions, and supply grease to the pump.



為泵浦加注潤滑脂

每2小時，將左右兩側的黃油杯順時針方向旋轉兩圈，使兩側刻度旋轉數相同，並為泵浦加注潤滑脂。



Refilling the pump grease to the Grease cup

When the Grease cup has turned till the end, refill both Grease cups with pump grease.

1. Remove the Grease cup by turning counterclockwise.
2. Refill the pump grease till the top of the Grease cup.

Lithium based multi-purpose grease#3 or equivalent

3. Install both Grease cups. Tighten the Grease cups until the top surfaces of both Grease cups are at the same level.

為黃油杯重新加注泵浦用潤滑脂

當黃油杯旋轉到終點時，為兩個黃油杯重新加注泵浦用潤滑脂。

1. 將黃油杯逆時針方向旋轉並取下。
2. 重新加注泵浦用潤滑脂至黃油杯頂部。

鋰基多用途潤滑脂#3 或同等產品

3. 安裝兩個黃油杯。將黃油杯杯擰緊，直到兩個黃油杯頂面處於同一水平。

HIACE

Maintenance 維護保養

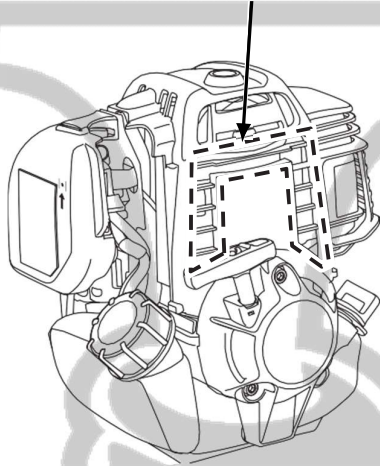
Cooling fin service

Inspect the cooling fins visually through the cover. If there are dry grass, leaves and mud clogged, consult your authorized dealer for cleaning it.

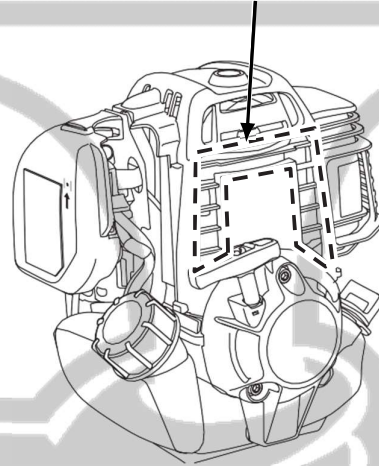
散熱片維護

透過蓋子視覺檢查散熱片。如果有乾草、樹葉和泥土堵塞，請諮詢授權的經銷商進行清潔。

Cooling Fins (inside the cover)



散熱片 (在蓋子內部)



Transporting / Storage 運輸/儲存

Transporting

- If the HP GS-50B has been running, allow it to cool down before loading the backpack sprayer on the transport vehicle. A hot engine and exhaust system can burn you and can ignite some materials.
- The engine is in the off position.
- Make sure the fuel tank cap is securely tightened.
- Ensure the rear wheel locking pedal is pressed down and secures the HP GS-50B.
- Keep the HP GS-50B level when transporting to reduce the possibility of fuel leakage.

運輸

- 如果 HP GS-50B 正在運行，請等其冷卻後再將其裝載到運輸工具上。熱引擎和排氣系統可能會燒傷您並引發某些物質的燃燒。
- 引擎處於關閉狀態。
- 確保油箱蓋緊固牢靠。
- 確保後輪固定踏板踩下並固定 HP GS-50B。
- 運輸時保持 HP GS-50B 水平，以減少燃油泄漏的可能性。

WARNING!

- To avoid severe burns or fire hazards, let the engine cool before transporting the HPGS-50B or storing it indoors.
- When transporting the HPGS-50B, tighten the fuel tank cap to prevent fuel spillage. Fuel vapor or spilled fuel may ignite.
- Drain all chemicals from the tank.
- Fix the HPGS-50B securely in level to the transport vehicle.
- When transporting the HPGS-50B, remove the nozzle pipe and stow the sprayer hose on the Hose Reel.

Storage

Before storing the HPGS-50B for an extended period;

1. Follow the procedures of “After operation” (see page 32).
2. To prevent the water from freezing in winter, drain the water completely from pump chamber.
 - A. Disconnect the sprayer hose from pump chamber.

To prevent the sprayer hose, make sure that no dirt or dust is in the sprayer hose or the HPGS-50B after disconnecting the sprayer hose.
 - B. Start the engine (see page 27).
 - C. Move the throttle lever between the FAST position and the SLOW position (see page 15), and hold it there for ten seconds to drain the pump chamber completely.
 - D. Stop the engine (see page 15).

警告!

- 運送或將 HPGS-50B 存放在室內前，為避免嚴重燒傷或火災危險，請讓引擎冷卻。
- 運輸 HPGS-50B 時，務必擰緊油箱蓋，以防止燃料外溢。燃料蒸氣或溢出的燃料可能會引燃。
- 排空藥桶的所有化學品。
- 將 HPGS-50B 安全固定在運輸車輛上，確保水平穩固。
- 運輸 HPGS-50B 時，將噴嘴管拆下並將噴霧管收納至水管收管架上。

儲存

存放 HPGS-50B 長時間前：

1. 按照“操作後”的程序進行（參見第 32 頁）。
2. 為防止水在冬季結冰，徹底排空泵浦室中的水。
 - A. 斷開噴霧管的連接。

斷開噴霧管後，確保噴霧管或 HPGS-50B 內部沒有灰塵或污垢，以防止噴嘴管道堵塞。
 - B. 啟動引擎（參見第 27 頁）。
 - C. 將加油器在快速位置和慢速位置之間移動（參見第 15 頁），並保持在那裡十秒鐘，以完全排空泵浦。
 - D. 停止引擎（參見第 15 頁）。

WARNING!

Gasoline is extremely flammable and is explosive under certain conditions. Do not smoke or allow flames or sparks in the area.

3. Drain the fuel.
 - A. Check the oil filler cap is tightened securely.
 - B. Remove the fuel tank cap and drain the fuel into the container by inclining the engine toward the fuel filler neck.
 - C. Press the priming pump several times until all fuel has returned to the fuel tank.
 - D. Tilt the engine toward the fuel filler neck again to drain the fuel left in the fuel tank into the container.
 - E. Tighten the fuel tank cap securely after draining the fuel completely.
4. Change the engine oil (see page 37).
5. Clean the air cleaner (see page 38).
6. Lubricate the cylinder.
 - A. Loosen the 4 mm hex. bolt, then remove the engine top cover (see page 39).
 - B. Remove the spark plug (see page 39).
 - C. Apply a couple of drops of clean engine oil into the cylinder.
 - D. Install the engine top cover temporarily.
 - E. Pull the starter grip several times to distribute the oil in the cylinder.
 - F. Remove the engine top cover, then reinstall the spark plug.
 - G. Install the engine top cover, and tighten the 4 mm hex. bolt securely.
7. Pull the starter grip slowly until resistance is felt.
8. Cover the engine to keep out dust.
9. Store the HPGS-50B in a safe, locked place inaccessible to children or cattle, and free of dust and humidity away from sparks. Place a tarpaulin or plastic sheet over the machine during storage.

警告!

汽油極易燃且在某些條件下會爆炸。請勿在該區域吸煙或允許火焰或火花出現。

3. 排空燃料。
 - A. 檢查機油箱蓋是否緊固。
 - B. 取下油箱蓋，將引擎傾斜向燃油加注口，將燃油排入容器中。
 - C. 按下燃料按壓泵數次，直到所有燃油回到油箱中。
 - D. 再次將引擎傾斜向燃油加注口，將油箱中剩餘的燃油排入容器中。
 - E. 在完全排空燃油後，緊固油箱蓋。
4. 更換引擎機油（參見第 37 頁）。
5. 清潔空氣濾清器（參見第 38 頁）。
6. 潤滑氣缸。
 - A. 鬆開 4 毫米的六角螺栓，然後拆下引擎頂蓋（參見第 39 頁）。
 - B. 拆下火星塞（參見第 39 頁）。
 - C. 在氣缸中滴幾滴乾淨的引擎油。
 - D. 臨時安裝引擎頂蓋。
 - E. 拉動起動手柄數次，以便將油分佈在氣缸內。
 - F. 拆下引擎頂蓋，然後重新安裝火星塞。
 - G. 安裝引擎頂蓋，並緊固 4 毫米的六角螺栓。
7. 慢慢拉動起動手柄，直到感到阻力。
8. 覆蓋引擎以防止灰塵進入。
9. 將 HPGS-50B 存放在兒童或牲畜無法接觸的安全鎖定處，並遠離灰塵和潮濕處，同時避免火花。在存放期間，用防水布或塑料薄膜覆蓋機器。

Troubleshooting 故障排除

When the engine will not start:

1. Is there fuel in the fuel tank?
2. Is gasoline reaching the carburetor?
To check, press the priming pump several times.
3. Is the spark plug in good condition?
Remove and inspect the spark plug. Clean, readjust gap and dry the spark plug. Replace it if necessary.

If the engine still does not start, take the HPGS-50B to your servicing dealer.

When the HPGS-50B sprays irregularly:

CHEMICALS NOT SPRAYED

Check that the engine speed is not lowered (see page 15).

ATOMIZING PRESSURE NOT RAISED

1. Check the nozzle for clogging or signs of damage.
2. Disassemble and maintain the nozzle.

If the HPGS-50B still does not operate, take the HPGS-50B to your servicing dealer.

當引擎無法啟動時：

1. 油箱內是否有燃油？
2. 汽油是否到達化油器？
要檢查，請按下燃料按壓泵數次。
3. 火星塞狀況良好嗎？
拆下並檢查火星塞。清潔、重新調整間隙並晾乾火星塞。如有必要，更換火星塞。

如果引擎仍然無法啟動，請將 HPGS-50B 帶到維修經銷商處。

當 HPGS-50B 噴灑不規則時：

未噴灑化學品

檢查引擎速度是否沒有降低（參見第 15 頁）。
未提高霧化壓力

霧化壓力未提高：

1. 檢查噴嘴是否堵塞或有損壞跡象。
2. 拆卸並維護噴嘴。

如果 HPGS-50B 仍然無法運作，請將 HPGS-50B 送到您的維修經銷商處。

HIACE

Disposal 廢棄處置

When disposing your machine, fuel or oil for the machine, be sure to allow your local regulations.

丟棄機器、燃料或潤滑油時，請依據並遵守當地相關法規處理。

Specifications 產品規格

	NAME 名稱	HAND PUSH ENGINE SPRAYER 手推引擎噴霧機
	MODEL 型號	HPGS-50B
	CHEMICAL TANK CAPACITY 藥桶容量	50 公升/Liter (MAX 50L)
ENGINE 引擎	ENGINE MODEL 引擎型號	Honda GX-25
	ENGINE TYPE 引擎形式	4-stroke, overhead cam, single cylinder
	CYLINDER DIA/STROKE 汽缸直徑/行程(mm)	35mm / 26mm
	DISPLACEMENT 排氣量 (C.C.)	25 c.c.
	MAX POWER 最大功率 (HP/7000RPM)	1.0 HP
	FUEL TANK CAPACITY 油箱容量	0.58 公升/Liter
	OIL CAPACITY 機油箱容量	0.08 公升/Liter
	CARBURETOR TYPE 化油器型式	DIAPHRAGM TYPE 膜片式
	SPARK PLUG 火星塞型號	NGK CMR5H
	STARTER 啟動方式	STARTER RECOIL 反沖啟動式
	CLUTCH TYPE 動力傳動方式	CENTRIFUGAL TYPE 自動遠心離合器

Specifications 產品規格

PUMP 泵浦	PUMP MODEL 泵浦型號	FTC-16
	PUMP TYPE 泵浦形式	2-WAY 雙向
	PLUNGER DIA./STROKE 柱塞直徑/行程	16mm / 9mm
	REDUCTION RATIO 減速比	48 : 13
	MAX. PRESSURE 最大出水壓力	35 公斤/立方公分(497.8psi) 35 kg/cm ² (497.8 psi)
	MAX. DELIVERY RATE 最大吐油量	8 公升/分鐘 8 Liter/Min

- The power rating of the engine indicated in this document is the net power output tested on a production engine for the engine model and measured in accordance with SAE J1349 at 7,000 rpm (Engine Net Power) and at 5,000 rpm (Engine Max. Net Torque). Mass production engines may vary from this value. Actual power output for the engine installed in the final machine will vary depending on numerous factors, including the operating speed of the engine in application, environmental conditions, maintenance, and other variables.

- 此文件中指示的引擎功率評級為根據 SAE J1349 標準在生產引擎上進行測試，測得在 7,000 轉每分鐘時的淨功率（引擎淨功率）和在 5,000 轉每分鐘時的最大淨扭矩（引擎最大淨扭矩）。批量生產的引擎可能與此值有所不同。安裝在最終機器上的引擎的實際功率輸出將根據多種因素而變化，包括引擎在應用中的操作速度、環境條件、維護和其他變量。

提示

規格如有變動，恕不另行通知。

NOTE

Specifications are subject to change without notice.

HIACE



弘揚精密實業有限公司
HIACE ENGINE CO., LTD.

雲林縣莿桐鄉興貴村興中75號

No.75 Singjhong Road, Singguei Village

Cihtong Township, Yunlin County, Taiwan

TEL:886-5-5846605 FAX:886-5-5846656

[Http://www.hiace.com.tw](http://www.hiace.com.tw)

E-mail:hiace.engine@msa.hinet.net